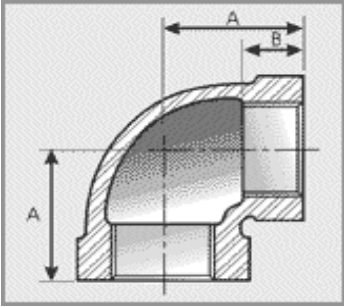
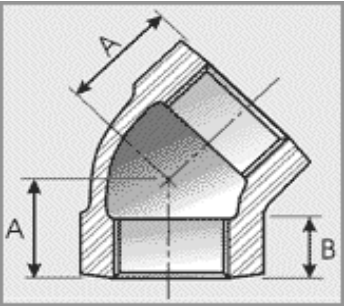
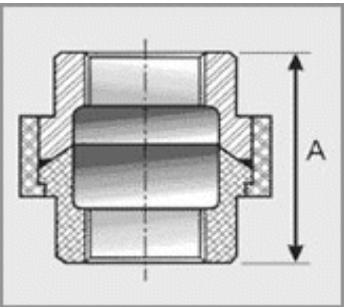
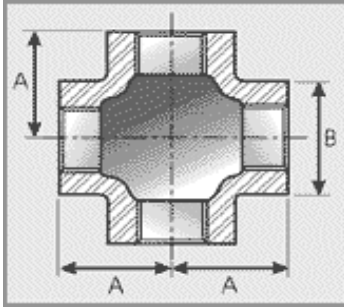


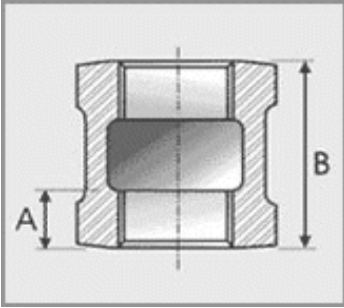
## 250 LB IMPORT BRASS THREADED FITTINGS

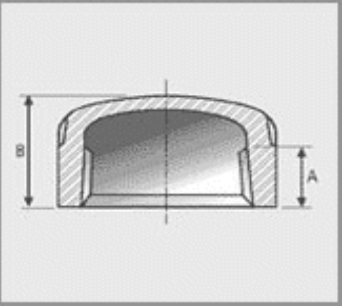
SIZE	DIMENSIONS		90 XH ELBOWS
INCH	A	B	
1/4	0.81	0.32	
3/8	0.95	0.36	
1/2	1.12	0.43	
3/4	1.31	0.5	
1	1.5	0.58	
1 1/4	1.75	0.67	
1 1/2	1.94	0.7	
2	2.25	0.75	
2 1/2	2.7	0.92	
3	3.08	1.08	

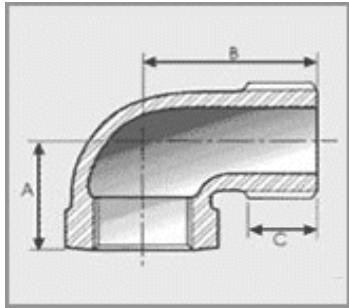
SIZE	DIMENSIONS		45 XH ELBOW
INCH	A	B	
1/2	1.12	0.43	
3/4	1.31	0.5	
1	1.5	0.58	
1 1/4	1.75	0.67	
1 1/2	1.94	0.7	
2	2.25	0.75	

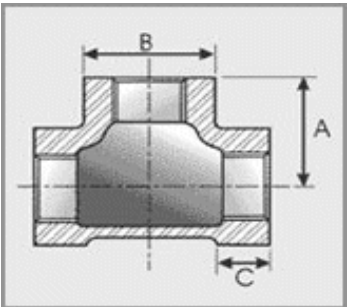
SIZE	DIMENSIONS		XH UNIONS
INCH	A		
1/8	1 7/16		
1/4	1 9/16		
3/8	1 3/4		
1/2	2		
3/4	2 1/8		
1	2 7/16		
1 1/4	2 11/16		
1 1/2	2 13/16		
2	3 3/16		
2 1/2	3 5/8		

SIZE		DIMENSIONS		XH CROSSES
INCH		A	B	
	1/4	0.81	0.93	
	3/8	0.95	1.12	
	1/2	1.12	1.34	
	3/4	1.31	1.63	
	1	1.5	1.95	
	1 1/4	1.75	2.39	
	1 1/2	1.94	2.68	
	2	2.25	3.28	

SIZE		DIMENSIONS		XH COUPLINGS
INCH		A	B	
	1/4	0.32	1.06	
	3/8	0.36	1.16	
	1/2	0.44	1.35	
	3/4	0.51	1.53	
	1	0.58	1.68	
	1 1/4	0.68	1.95	
	1 1/2	0.7	2.15	
	2	0.75	2.54	
	2 1/2	0.92	2.9	
	3	1	3.2	

SIZE		DIMENSIONS		XH CAPS
INCH		A	B	
	1/4	0.32	0.67	
	3/8	0.36	0.76	
	1/2	0.44	0.86	
	3/4	0.51	1.02	
	1	0.58	1.1	
	1 1/4	0.68	1.29	
	1 1/2	0.7	1.33	
	2	0.75	1.55	
	2 1/2	0.92	1.81	
	3	1	2	

SIZE		DIMENSIONS			90 XH ST ELBOWS
INCH	A	B	C		
1/4	0.81	1.11	0.4		
3/8	0.94	1.24	0.4		
1/2	1.22	1.49	0.53		
3/4	1.31	1.69	0.55		
1	1.5	1.98	0.68		
1 1/4	1.75	2.24	0.74		
1 1/2	1.94	2.48	0.75		
2	2.25	2.88	0.75		

SIZE		DIMENSIONS			XH TEES
INCH	A	B	C		
1/4	0.81	0.93	0.38		
3/8	0.95	1.12	0.44		
1/2	1.12	1.34	0.5		
3/4	1.31	1.63	0.56		
1	1.5	1.95	0.62		
1 1/4	1.75	2.39	0.69		
1 1/2	1.94	2.68	0.75		
2	2.25	3.28	0.84		
2 1/2	2.7	3.86	0.94		
3	3.08	4.62	1		