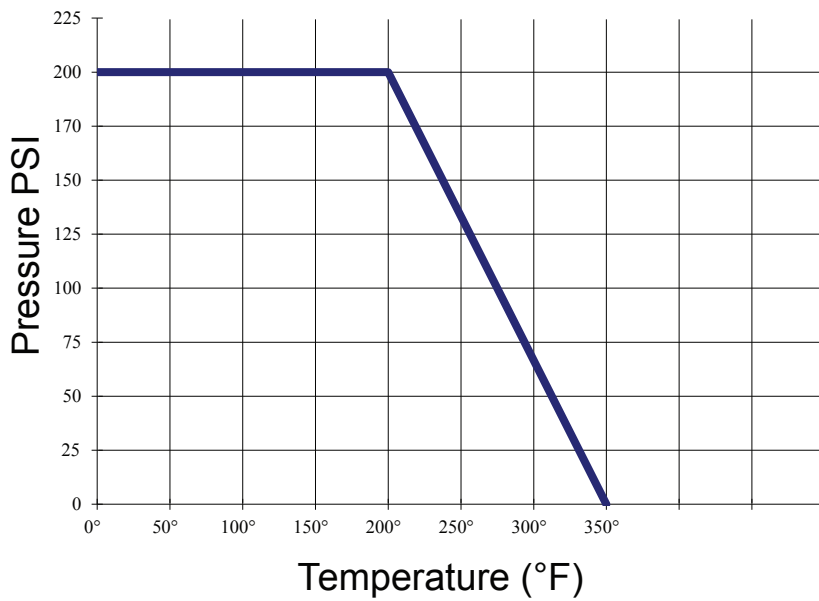


**APPLICABLE STANDARDS:**

- Design: ASME B16.34
- Testing: API 598
- 200 PSI working pressure at 350°F



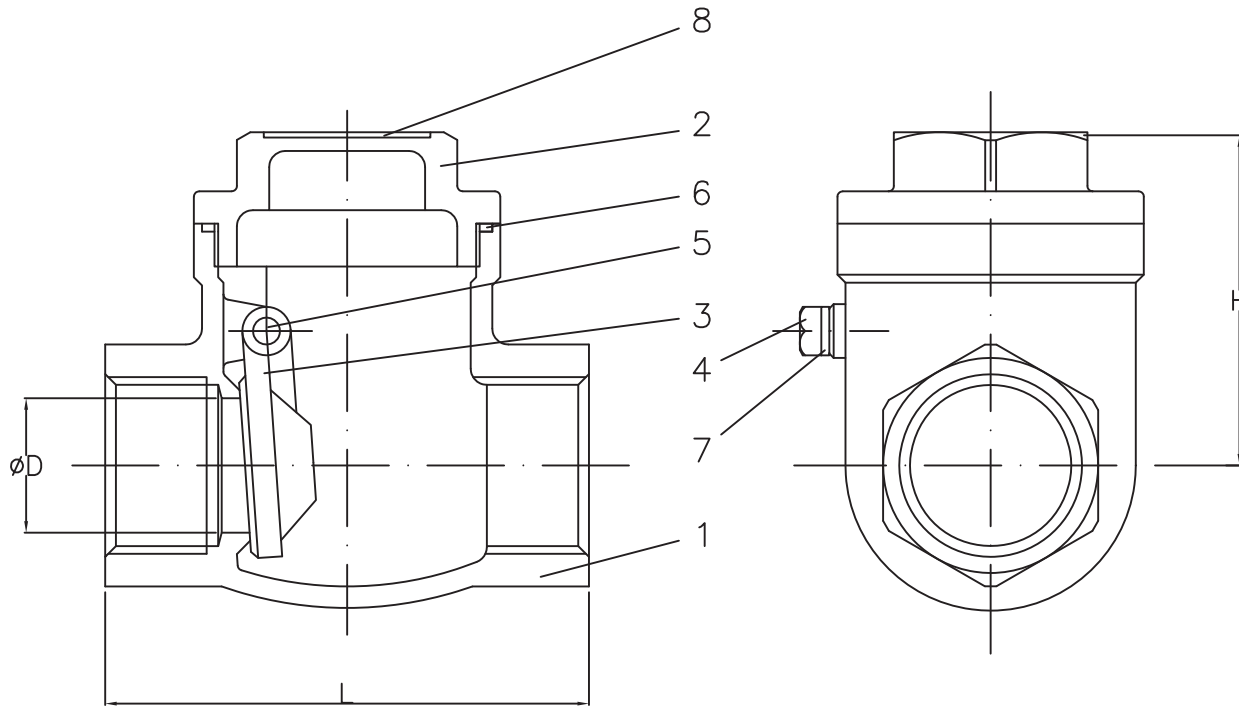
**Cv, Weights & Port**

| Size   | Cv    | Wt (Lbs) | Port |
|--------|-------|----------|------|
| 1/4"   | 5.30  | 0.52     | 0.43 |
| 3/8"   | 5.30  | 0.49     | 0.43 |
| 1/2"   | 6.90  | 0.62     | 0.59 |
| 3/4"   | 16.30 | 1.01     | 0.79 |
| 1"     | 30    | 1.60     | 0.98 |
| 1-1/4" | 49    | 2.56     | 1.26 |
| 1-1/2" | 70    | 3.40     | 1.50 |
| 2"     | 130   | 5.78     | 1.97 |
| 2-1/2" | 205   | 12.13    | 2.56 |
| 3"     | 306   | 15.34    | 3.15 |

Headquarters:  
 One Merit Drive  
 PO Box 43127  
 Cleveland, OH 44143  
 TEL: 216 261 9800  
 TOLL FREE TEL: 800 726 9800  
 TOLL FREE FAX: 855 MBFAXIT  
 Email: [mbsales@meritbrass.com](mailto:mbsales@meritbrass.com)  
 Websites: [www.meritbrass.com](http://www.meritbrass.com)  
[www.MBWebXpress.com](http://www.MBWebXpress.com)  
[www.MBLeadFree.com](http://www.MBLeadFree.com)

VSC102

**Class 200 Stainless Steel Swing Check Valve  
Threaded, Full Port, "V Series"**



Unit: Inch

| NO | PART NAME    | QTY | MATERIAL       |
|----|--------------|-----|----------------|
| 1  | BODY         | 1   | ASTM A351 CF8M |
| 2  | CAP          | 1   | ASTM A351 CF8M |
| 3  | DISC         | 1   | ASTM A351 CF8M |
| 4  | PLUG         | 1   | SUS316         |
| 5  | HINGE PIN    | 1   | SUS316         |
| 6  | JOINT GASKET | 1   | TEFLON         |
| 5  | GASKET       | 1   | TEFLON         |
| 6  | NAME PLATE   | 1   | ALUMINUM       |

| Size   | D<br>Port | L    | H    |
|--------|-----------|------|------|
| 1/4"   | 0.43      | 2.36 | 1.63 |
| 3/8"   | 0.43      | 2.36 | 1.63 |
| 1/2"   | 0.59      | 2.56 | 1.89 |
| 3/4"   | 0.79      | 3.17 | 2.17 |
| 1"     | 0.98      | 3.54 | 2.44 |
| 1-1/4" | 1.26      | 4.13 | 2.76 |
| 1-1/2" | 1.50      | 4.72 | 3.15 |
| 2"     | 1.97      | 5.51 | 3.54 |
| 2-1/2" | 2.56      | 7.09 | 4.53 |
| 3"     | 3.15      | 7.87 | 4.92 |