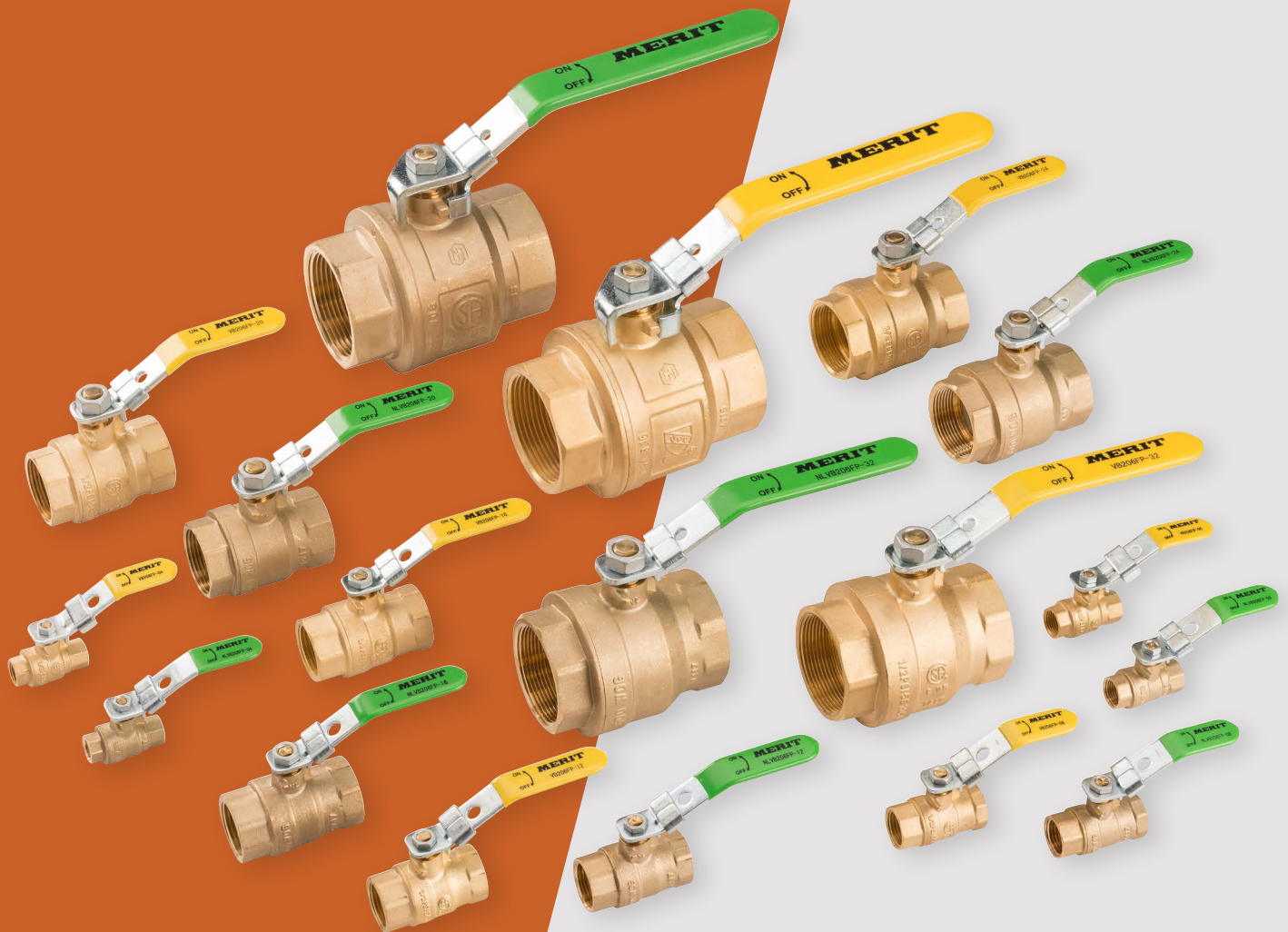


Pricing Sheet BRASS BALL VALVES



LEARN MORE



800.726.9800

Follow us on      

www.meritbrass.com
www.mbwebxpress.com
contactus@meritbrass.com

Merit Brass Headquarters Has An ISO 9001:2015 Registered Quality Management System

LEAD-FREE BRASS BALL VALVES

Diameters: 1/4" – 2"

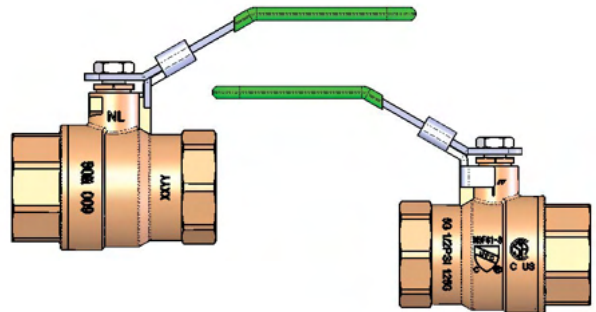
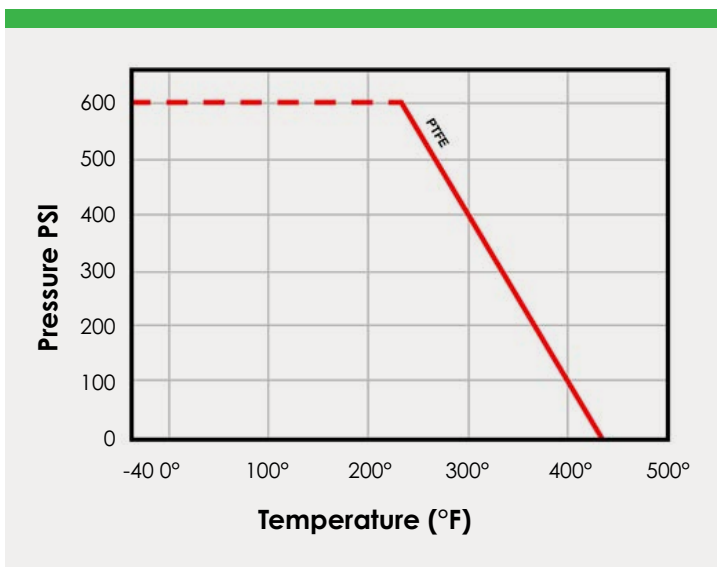


Design Features

- Body: Forged Lead-Free Brass
- Port: Full
- Design: Two Piece Body
- Handle: Locking Device
- Ball: Chrome Plated Lead-Free Brass 1/4" – 1" 304 Stainless Steel 1-1/4" – 2"
- Seats: PTFE
- Stem: Blow-Out Proof
- 1/4" – 2" Rated: 600PSI Non-Shock WOG

Applicable Standards

- Threaded Ends ANSI B1.20.1
- Conforms to MSS-SP-110
- CSA Gas Approved to 2" (IPS Only)
- NSF61 and ANSI 372 Approved



Conforms with lead content requirements for lead-free plumbing as defined by the U.S. Safe Drinking Water Act. Certified ≤ 0.25 weighted average % lead.

LEARN MORE



800.726.9800

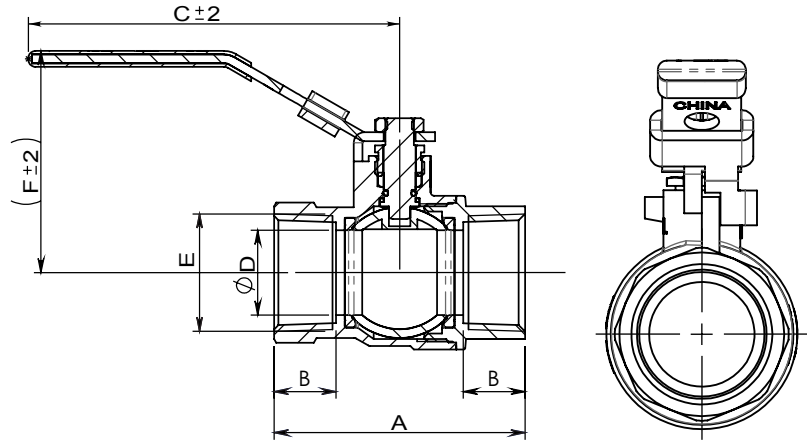
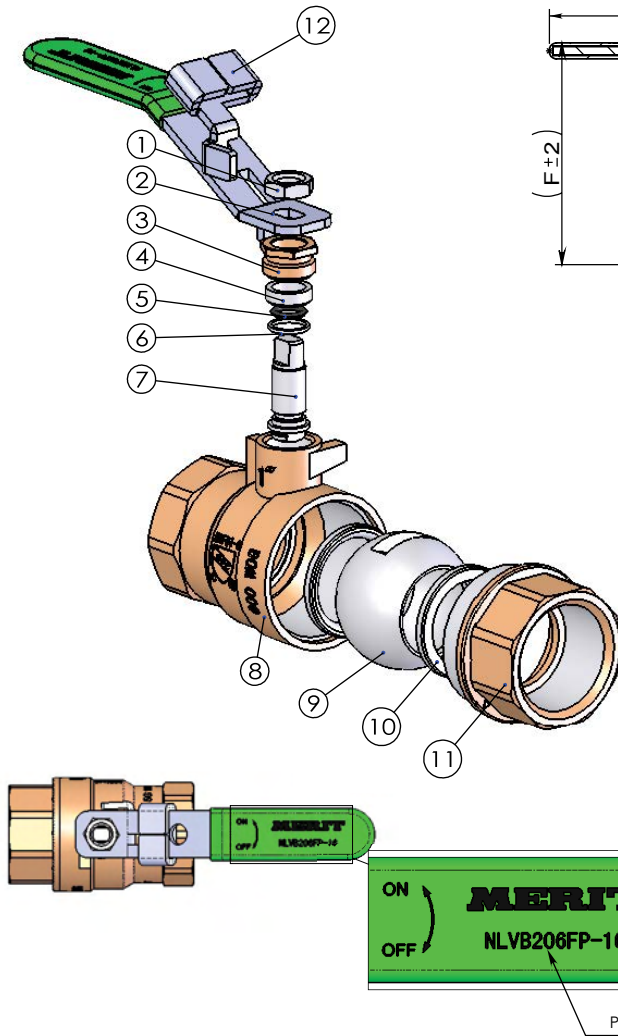
Follow us on [f](#) [X](#) [in](#) [@](#) [v](#) [p](#)

Headquarters: One Merit Drive, PO Box 43127, Cleveland, OH 44143

www.meritbrass.com
www.mbwebxpress.com
contactus@meritbrass.com

LEAD-FREE BRASS BALL VALVES

Diameters: 1/4" - 2"



No.	Part Name	Qty	Material
1	Hex-nut	1	Steel
2	Handle	1	Steel
3	Packing Nut	1	Brass
4	Packing Gland	1	PTFE
5	O-Ring	1	EPDM
6	Washer	1	PTFE
7	Stem	1	1/4" - 1": C46500 1-1/4" - 2": C36000
8	Body	1	C46500
9	Ball	1	1/4" - 1": C46500 1-1/4" - 2": AISI304
10	Seat	2	PTFE
11	Bonnet	1	C46500
12	Lock Catch	1	Steel

Size	A (in)	B (in)	C (in)	D (in)	E	F (in)	Weight (lb)	Part No.
1/4"	1.732	0.453	3.15	Ø 0.394	1/4-18NPT	1.843	0.26	NLVB206FP-04
3/8"	1.732	0.453	3.15	Ø 0.394	3/8-18NPT	1.843	0.26	NLVB206FP-06
1/2"	2.047	0.551	3.15	Ø 0.512	1/2-14NPT	1.937	0.37	NLVB206FP-08
3/4"	2.303	0.571	4.134	Ø 0.709	3/4-14NPT	2.291	0.55	NLVB206FP-12
1"	2.795	0.689	4.134	Ø 0.945	1-11.5NPT	2.469	0.88	NLVB206FP-16
1-1/4"	3.15	0.689	4.921	Ø 1.201	11/4-11.5NPT	3.039	1.36	NLVB206FP-20
1-1/2"	3.504	0.709	4.921	Ø 1.457	11/2-11.5NPT	3.217	1.88	NLVB206FP-24
2"	4.193	0.748	7.087	Ø 1.949	2-11.5NPT	3.72	3.44	NLVB206FP-32

LEAD-FREE BRASS BALL VALVES

Diameters: 2-1/2" – 4"

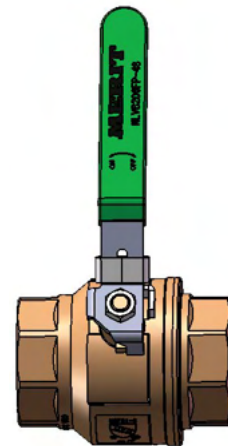
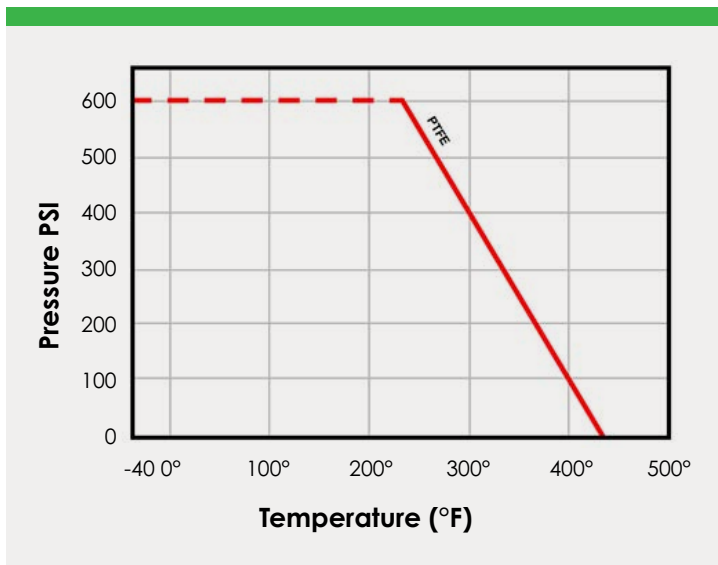


Design Features

- Body: Forged Lead-Free Brass
- Port: Full
- Design: Two Piece Body
- Handle: Locking Device
- Ball: 304 Stainless Steel
- Seats: PTFE
- Stem: Blow-Out Proof
- 2-1/2" – 4" Rated: 600PSI Non-Shock WOG
125PSI SWP

Applicable Standards

- Threaded Ends ANSI B1.20.1
- Conforms to MSS-SP-110
- NSF61 and ANSI 372 Approved
- UL/FM Approved



Conforms with lead content requirements for lead-free plumbing as defined by the U.S. Safe Drinking Water Act. Certified ≤ 0.25 weighted average % lead.

LEARN MORE



800.726.9800

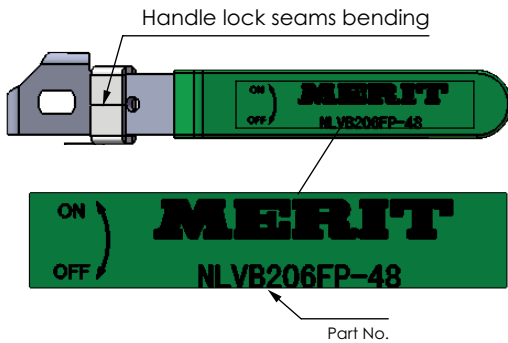
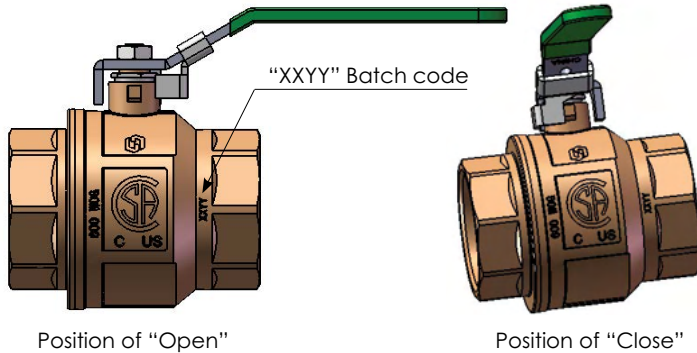
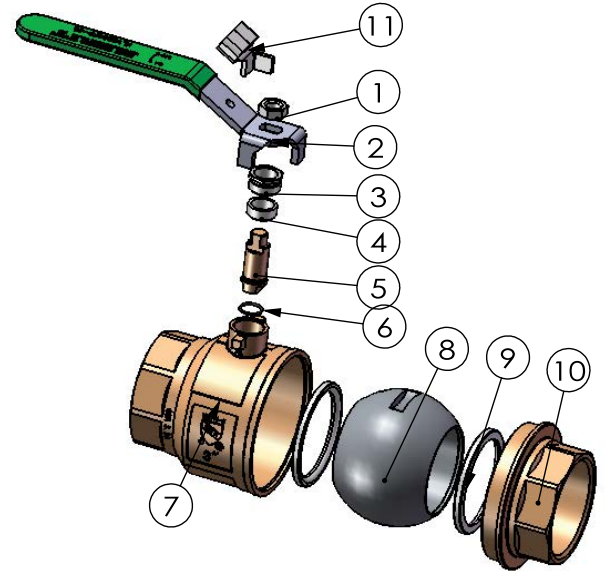
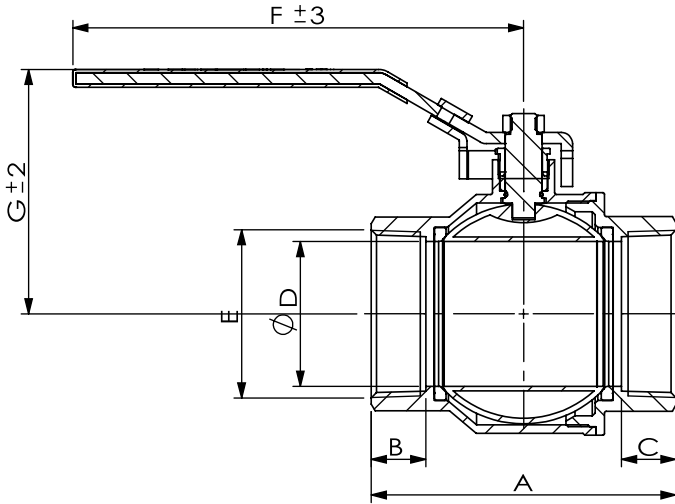
Follow us on [f](#) [X](#) [in](#) [@](#) [v](#) [p](#)

Headquarters: One Merit Drive, PO Box 43127, Cleveland, OH 44143

www.meritbrass.com
www.mbwebxpress.com
contactus@meritbrass.com

LEAD-FREE BRASS BALL VALVES

Diameters: 2-1/2" - 4"

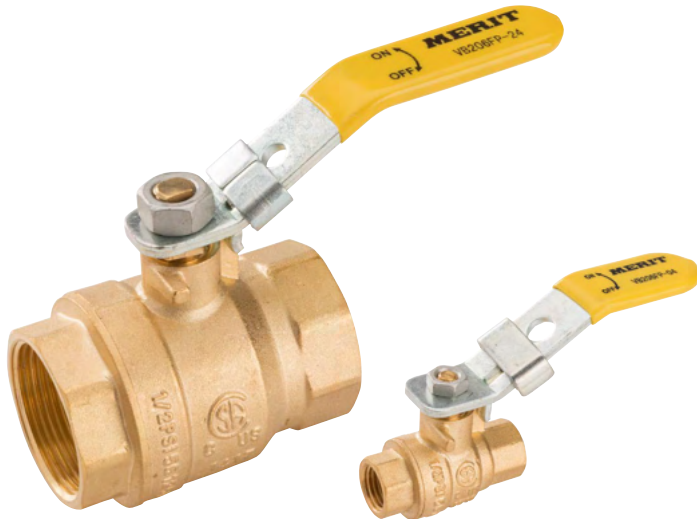


No.	Part Name	Qty	Material
1	Hex-nut	1	Steel
2	Handle	1	Steel
3	Packing Nut	1	Brass
4	Packing Gland	1	PTFE
5	Stem	1	C3600
6	O-Ring	1	EPDM
7	Body	1	C46500
8	Ball	1	Stainless Steel
9	Seat	1	PTFE
10	Bonnet	1	C46500
11	Lock catch	1	Steel

Size	A (in)	B (in)	C (in)	D (in)	E	F (in)	G (in)	Weight (lb)	Part No.
2-1/2"	5.551	1.063	1.603	Ø 0.25	2 1/2-8NPT	9.449	4.744	7.32	NLVB206FP-40
3"	6.378	1.142	1.142	Ø 3.031	3-8NPT	9.449	5.118	10.11	NLVB206FP-48
4"	7.543	1.201	1.201	Ø 3.937	4-8NPT	9.449	5.866	16.91	NLVB206FP-64

LEADED BRASS BALL VALVES

Diameters: 1/4" – 2"

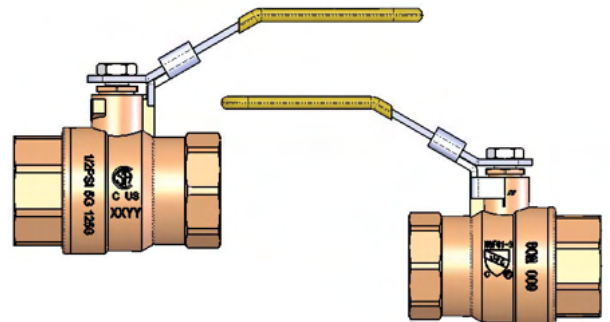
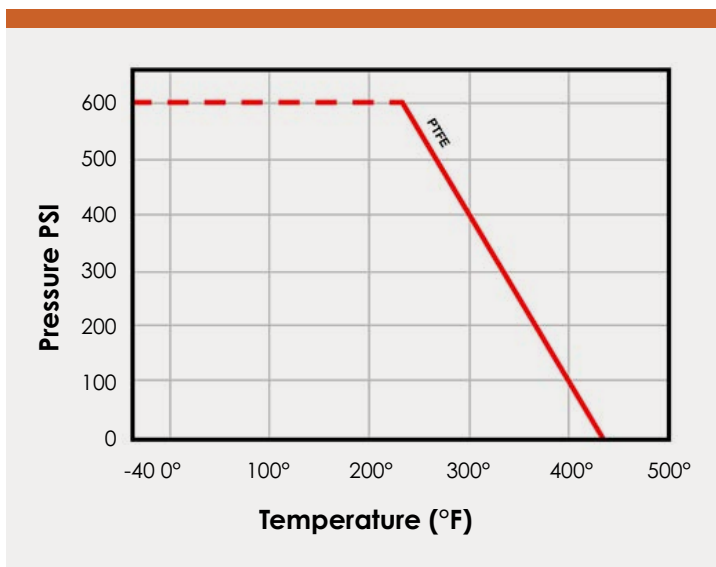


Design Features

- Body: Forged Brass
- Port: Full
- Design: Two Piece Body
- Handle: Locking Device
- Ball: Chrome Plated Brass
- Seats: PTFE
- Stem: Blow-Out Proof
- 1/4" – 2" Rated: 600PSI Non-Shock WOG
125PSI SWP

Applicable Standards

- Threaded Ends ANSI B1.20.1
- Conforms to MSS-SP-110
- CSA Gas Approved to 2" (IPS Only)



⚠ WARNING: This product can expose you to Lead, which is known to the State of California to cause cancer and birth defects or other reproductive harm. For more information go to www.P65Warnings.ca.gov. This product is not for use in potable water.

LEARN MORE



800.726.9800

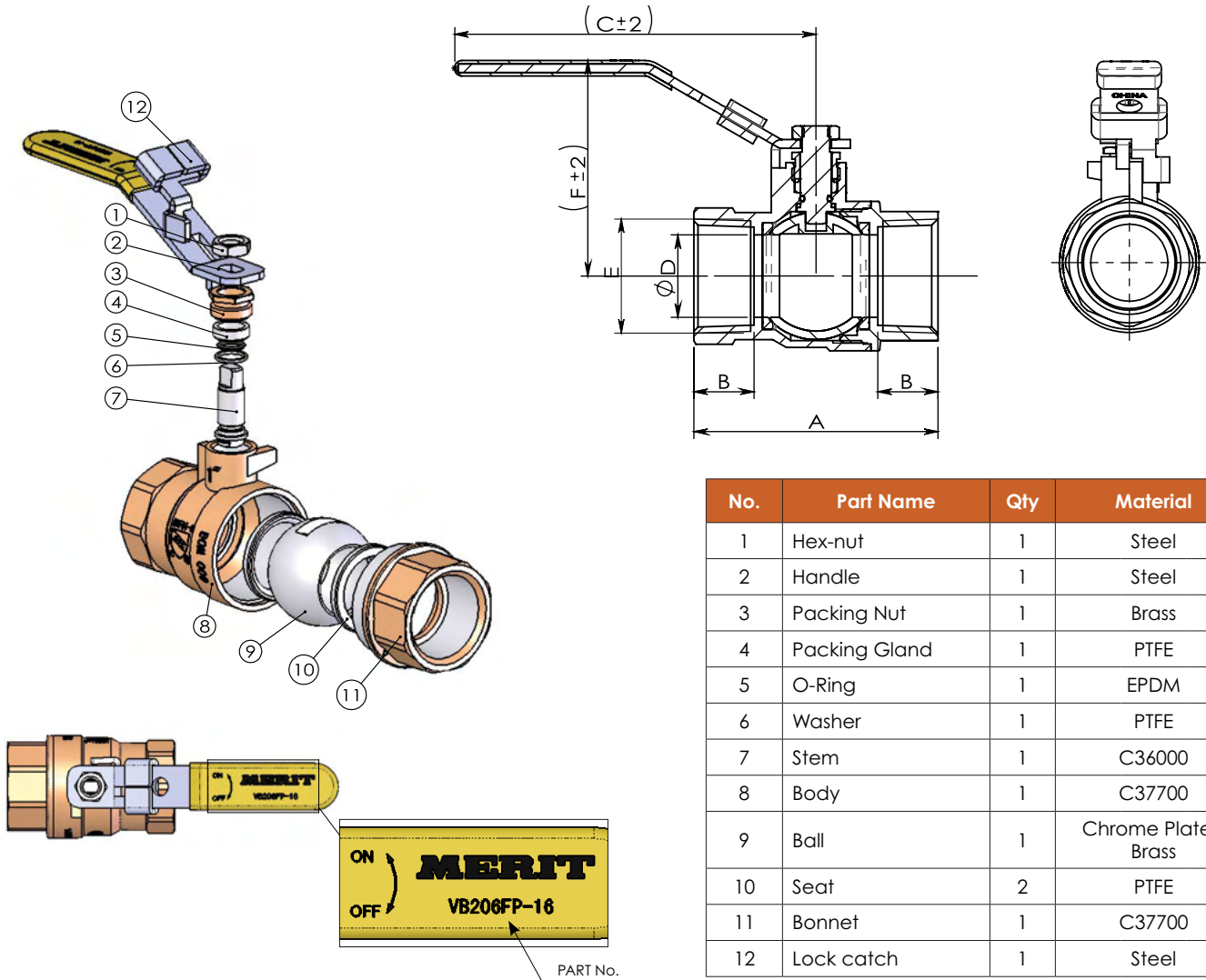
Follow us on [f](#) [X](#) [in](#) [@](#) [v](#) [p](#)

Headquarters: One Merit Drive, PO Box 43127, Cleveland, OH 44143

www.meritbrass.com
www.mbwebxpress.com
contactus@meritbrass.com

LEADED BRASS BALL VALVES

Diameters: 1/4" - 2"



No.	Part Name	Qty	Material
1	Hex-nut	1	Steel
2	Handle	1	Steel
3	Packing Nut	1	Brass
4	Packing Gland	1	PTFE
5	O-Ring	1	EPDM
6	Washer	1	PTFE
7	Stem	1	C36000
8	Body	1	C37700
9	Ball	1	Chrome Plated Brass
10	Seat	2	PTFE
11	Bonnet	1	C37700
12	Lock catch	1	Steel

Size	A (in)	B (in)	C (in)	D (in)	E	F (in)	Weight (lb)	Part No.
1/4"	1.732	0.453	3.15	Ø 0.394	1/4-18NPT	1.843	0.26	VB206FP-04
3/8"	1.732	0.453	3.15	Ø 0.394	3/8-18NPT	1.843	0.26	VB206FP-06
1/2"	2.047	0.551	3.15	Ø 0.512	1/2-14NPT	1.937	0.37	VB206FP-08
3/4"	2.303	0.571	4.134	Ø 0.709	3/4-14NPT	2.291	0.55	VB206FP-12
1"	2.795	0.689	4.134	Ø 0.945	1-11.5NPT	2.469	0.88	VB206FP-16
1-1/4"	3.15	0.689	4.921	Ø 1.201	1 1/4-11.5NPT	3.039	1.36	VB206FP-20
1-1/2"	3.504	0.709	4.921	Ø 1.457	1 1/2-11.5NPT	3.217	1.88	VB206FP-24
2"	4.193	0.748	7.087	Ø 1.949	2-11.5NPT	3.72	3.44	VB206FP-32

LEADED BRASS BALL VALVES

Diameters: 2-1/2" – 4"

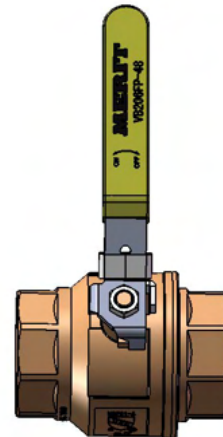
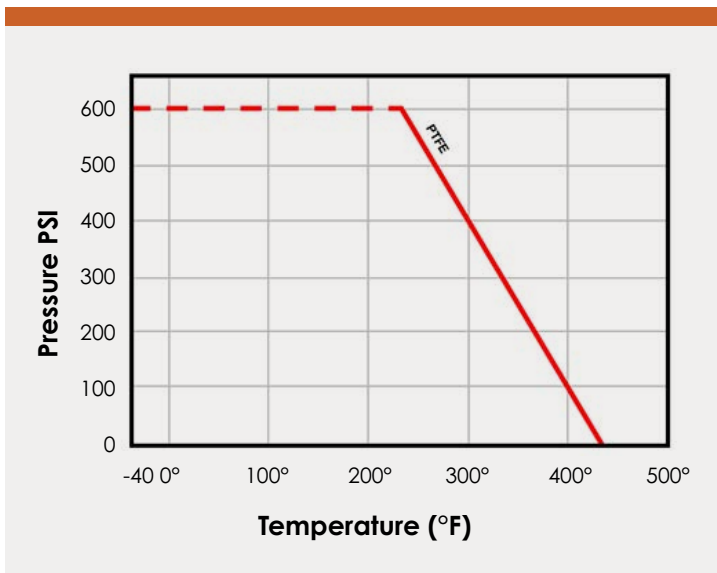


Design Features

- Body: Forged Brass
- Port: Full
- Design: Two Piece Body
- Handle: Locking Device
- Ball: 304 Stainless Steel
- Seats: PTFE
- Stem: Blow-Out Proof
- 2-1/2" – 4" Rated: 600PSI Non-Shock WOG
125PSI SWP

Applicable Standards

- Threaded Ends ANSI B1.20.1
- Conforms to MSS-SP-110
- UL/FM Approved



⚠ WARNING: This product can expose you to Lead, which is known to the State of California to cause cancer and birth defects or other reproductive harm. For more information go to www.P65Warnings.ca.gov. This product is not for use in potable water.

LEARN MORE



800.726.9800

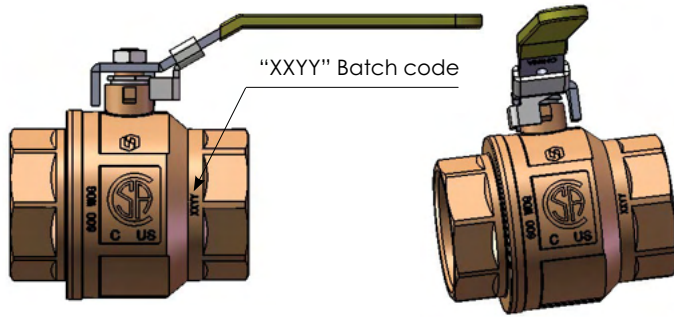
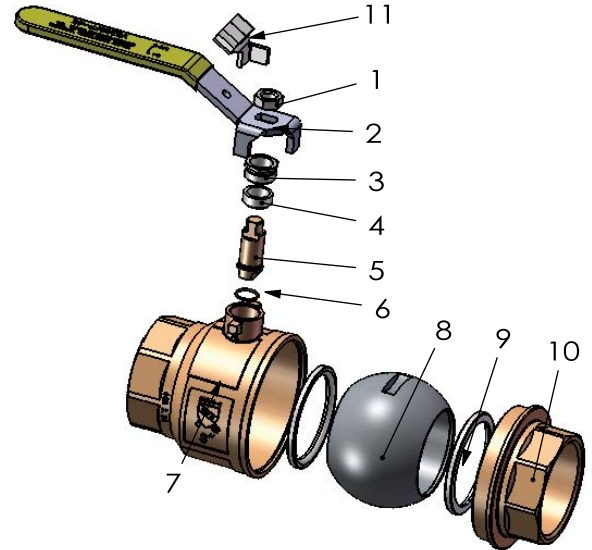
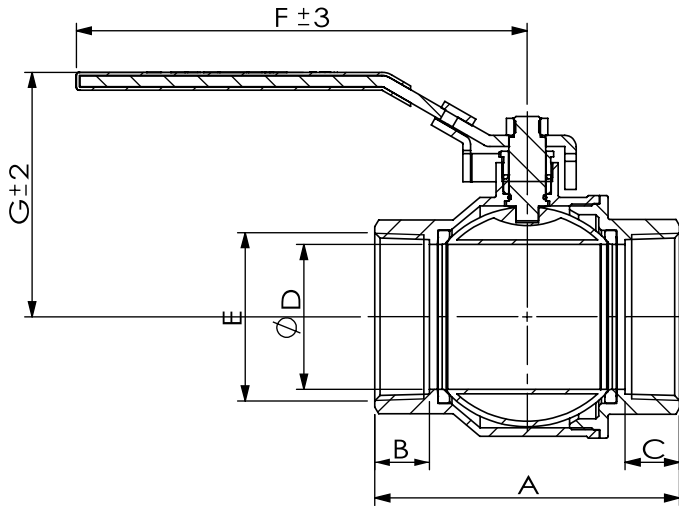
Follow us on [f](#) [X](#) [in](#) [@](#) [v](#) [p](#)

Headquarters: One Merit Drive, PO Box 43127, Cleveland, OH 44143

www.meritbrass.com
www.mbwebxpress.com
contactus@meritbrass.com

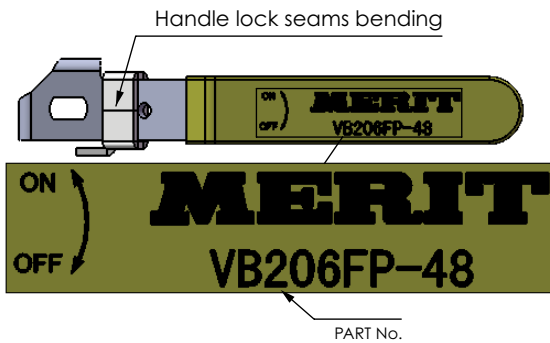
LEADED BRASS BALL VALVES

Diameters: 2-1/2" - 4"



Position of "Open"

Position of "Close"














No.	Part Name	Qty	Material
1	Hex-nut	1	Steel
2	Handle	1	Steel
3	Packing Nut	1	Brass
4	Packing Gland	1	PTFE
5	Stem	1	C3600
6	O-Ring	1	EPDM
7	Body	1	C3770
8	Ball	1	Stainless Steel
9	Seat	2	PTFE
10	Bonnet	1	C3770
11	Lock catch	1	Steel

Size	A (in)	B (in)	C (in)	D (in)	E	F (in)	G (in)	Weight (lb)	Part No.
2-1/2"	5.551	1.063	1.603	Ø 0.25	2 1/2-8NPT	9.449	4.744	7.32	VB206FP-40
3"	6.378	1.142	1.142	Ø 3.031	3-8NPT	9.449	5.118	10.11	VB206FP-48
4"	7.543	1.201	1.201	Ø 3.937	4-8NPT	9.449	5.866	16.91	VB206FP-64

Merit's Leaded & Lead Free Brass Ball Valves have two-piece, forged bodies, a blow-out proof stem and a full port. The valve's handle comes standard with a locking device and the seats are PTFE. With a size range from 1/4" – 4", these valves have a 600PSI Non-Shock WOG 125PSI SWP rating. Each valve conforms to MSS-SP-110 and have threaded ends ANSI B1.20.1. Valves up to 2" are CSA gas approved (IPS only). The lead-free valves are NSF61 and ANSI 372 approved and the 2-1/2" – 4" valves, both leaded & lead-free are UL/FM approved.

Lead-Free Brass Ball Valves

Diameter	Description	Merit Part #	List Price	Box Quantity*	Weight
1/4"	Brass 2-pc 600# NPT Full Port Ball Valve Lead-Free* 	NLVB206FP-04	\$22.31	15	0.26
3/8"	Brass 2-pc 600# NPT Full Port Ball Valve Lead-Free* 	NLVB206FP-06	\$22.31	15	0.26
1/2"	Brass 2-pc 600# NPT Full Port Ball Valve Lead-Free* 	NLVB206FP-08	\$22.31	15	0.37
3/4"	Brass 2-pc 600# NPT Full Port Ball Valve Lead-Free* 	NLVB206FP-12	\$34.23	10	0.55
1"	Brass 2-pc 600# NPT Full Port Ball Valve Lead-Free* 	NLVB206FP-16	\$48.07	8	0.87
1-1/4"	Brass 2-pc 600# NPT Full Port Ball Valve Lead-Free* 	NLVB206FP-20	\$81.62	2	1.34
1-1/2"	Brass 2-pc 600# NPT Full Port Ball Valve Lead-Free* 	NLVB206FP-24	\$119.51	4	1.92
2"	Brass 2-pc 600# NPT Full Port Ball Valve Lead-Free* 	NLVB206FP-32	\$201.86	2	3.49
2-1/2"	Brass 2-pc 600# NPT Full Port Ball Valve Lead-Free* 	NLVB206FP-40	\$386.72	2	7.67
3"	Brass 2-pc 600# NPT Full Port Ball Valve Lead-Free* 	NLVB206FP-48	\$633.96	2	10.59
4"	Brass 2-pc 600# NPT Full Port Ball Valve Lead-Free* 	NLVB206FP-64	\$1,082.71	1	16.96

Leaded Brass Ball Valves

Diameter	Description	Merit Part #	List Price	Box Quantity*	Weight
1/4"	Brass 2-pc 600# NPT Full Port Ball Valve Leaded**	VB206FP-04	\$20.29	15	0.26
3/8"	Brass 2-pc 600# NPT Full Port Ball Valve Leaded**	VB206FP-06	\$20.29	15	0.26
1/2"	Brass 2-pc 600# NPT Full Port Ball Valve Leaded**	VB206FP-08	\$20.29	15	0.37
3/4"	Brass 2-pc 600# NPT Full Port Ball Valve Leaded**	VB206FP-12	\$31.12	10	0.55
1"	Brass 2-pc 600# NPT Full Port Ball Valve Leaded**	VB206FP-16	\$45.07	8	0.88
1-1/4"	Brass 2-pc 600# NPT Full Port Ball Valve Leaded**	VB206FP-20	\$74.21	2	1.36
1-1/2"	Brass 2-pc 600# NPT Full Port Ball Valve Leaded**	VB206FP-24	\$108.67	4	1.88
2"	Brass 2-pc 600# NPT Full Port Ball Valve Leaded**	VB206FP-32	\$156.96	2	3.44
2-1/2"	Brass 2-pc 600# NPT Full Port Ball Valve Leaded**	VB206FP-40	\$337.94	2	7.32
3"	Brass 2-pc 600# NPT Full Port Ball Valve Leaded**	VB206FP-48	\$487.03	2	10.11
4"	Brass 2-pc 600# NPT Full Port Ball Valve Leaded**	VB206FP-64	\$765.79	1	16.91

For the Master Carton Quantity List, please visit www.meritbrass.com under Price Sheets.

**** ⚠ WARNING:** This product can expose you to Lead, which is known to the State of California to cause cancer and birth defects or other reproductive harm. For more information go to www.P65Warnings.ca.gov. Leaded product is not for use in potable water.

* Conforms with lead content requirements for lead-free plumbing as defined by the U.S. Safe Drinking Water Act. Certified ≤0.25 weighted average % lead.

LOCATIONS

SPARKS DISTRIBUTION CENTER
200 Vista Boulevard Suite #106
Sparks, NV 89434

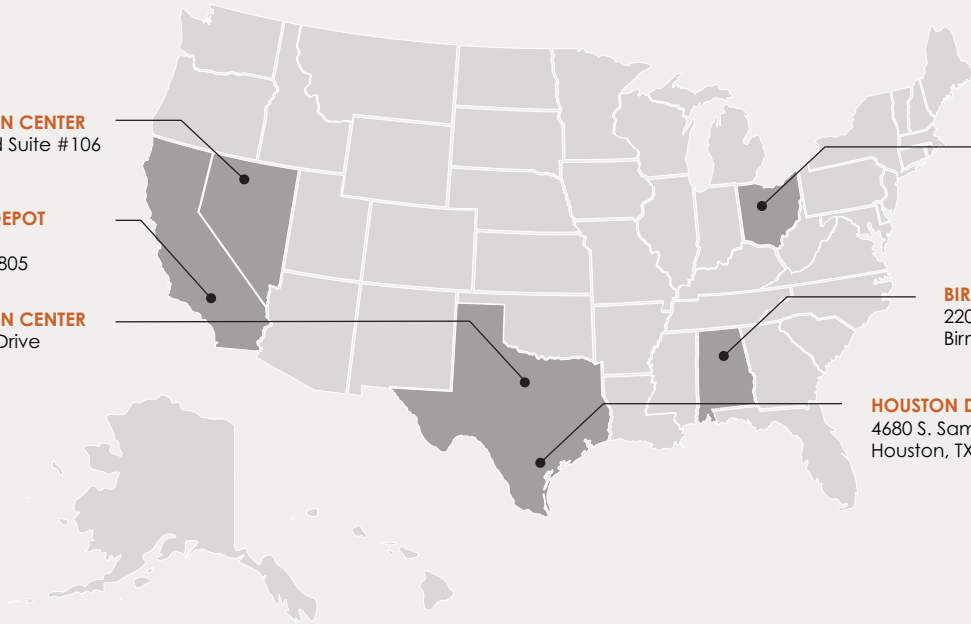
LONG BEACH PIPE DEPOT
2396 E. Artesia Blvd
Long Beach, CA 90805

DALLAS DISTRIBUTION CENTER
10614 King William Drive
Dallas, TX 75220

CLEVELAND HEADQUARTERS
One Merit Drive/PO Box 43127
Cleveland, OH 44143

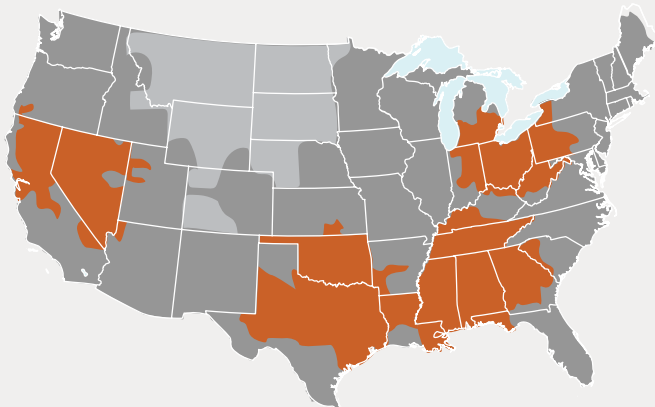
BIRMINGHAM DISTRIBUTION CENTER
220 Oxmoor Court
Birmingham, AL 35209

HOUSTON DISTRIBUTION CENTER
4680 S. Sam Houston Pkwy W, Suite 120
Houston, TX 77053



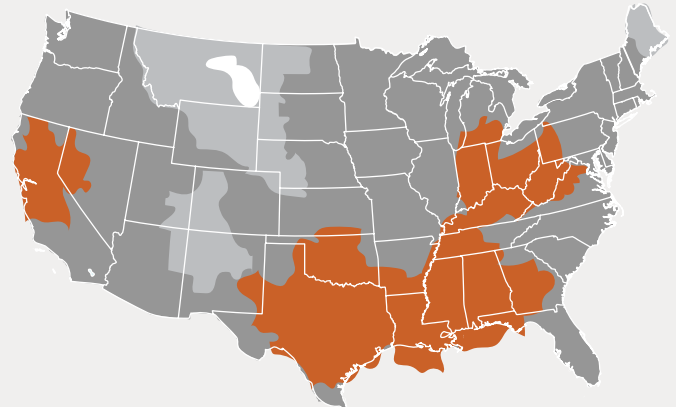
SHIPPING TIMES

UPS



1 Day 2 Days 3 Days

FedEx



1 Day 2 Days 3 Days 4 Days

*FedEx is Merit's Primary Carrier

LEARN MORE



800.726.9800

Follow us on      

www.meritbrass.com
www.mbwebxpress.com
contactus@meritbrass.com

Merit Brass Headquarters Has An ISO 9001:2015 Registered Quality Management System