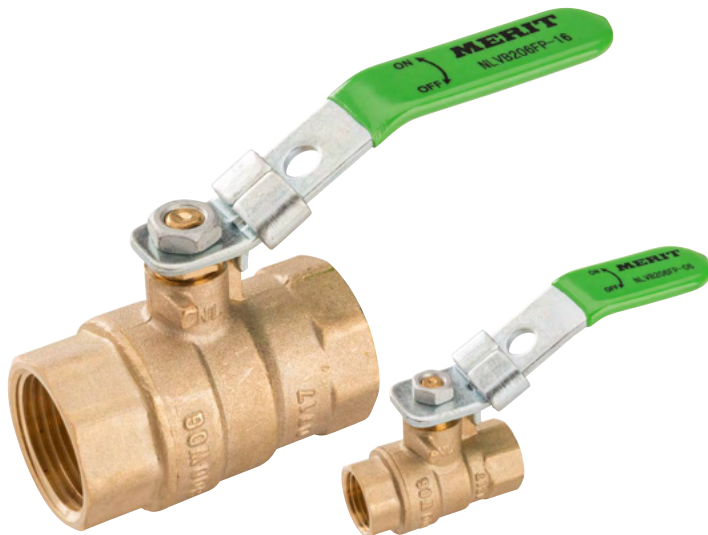


# LEAD-FREE BRASS BALL VALVES

Diameters: 1/4" - 2"

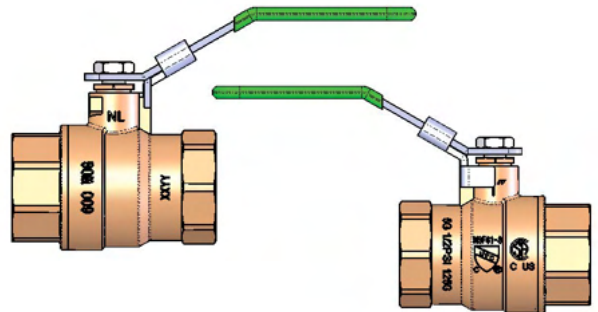
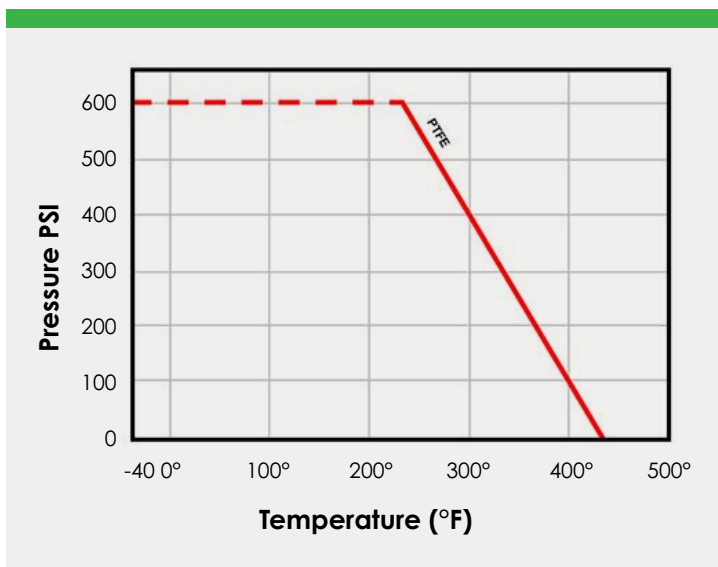


## Design Features

- Body: Forged Lead-Free Brass
- Port: Full
- Design: Two Piece Body
- Handle: Locking Device
- Ball: Chrome-Plated Lead-Free Brass 1/4" - 1" 304 Stainless Steel 1-1/4" - 2"
- Seats: PTFE
- Stem: Blow-Out Proof
- 1/4" - 2" Rated: 600PSI Non-Shock WOG

## Applicable Standards

- Threaded Ends ANSI B1.20.1
- Conforms to MSS-SP-110
- CSA Gas Approved to 2" (IPS Only)
- NSF61 and ANSI 372 Approved



Conforms with lead content requirements for lead-free plumbing as defined by the U.S. Safe Drinking Water Act. Certified <=0.25 weighted average % lead.

LEARN MORE



**800.726.9800**

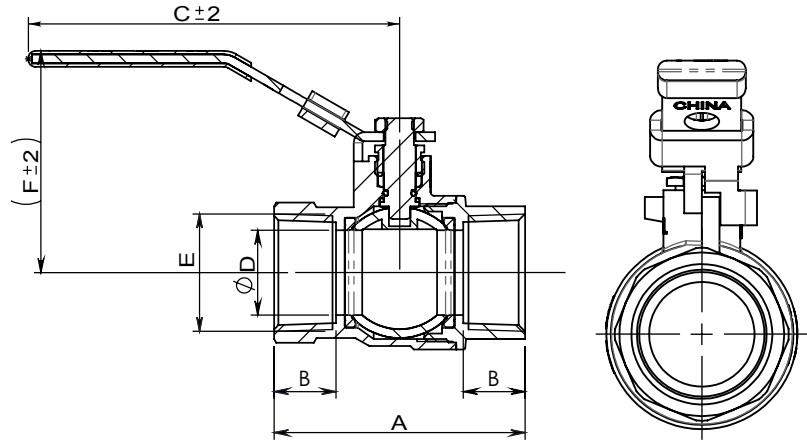
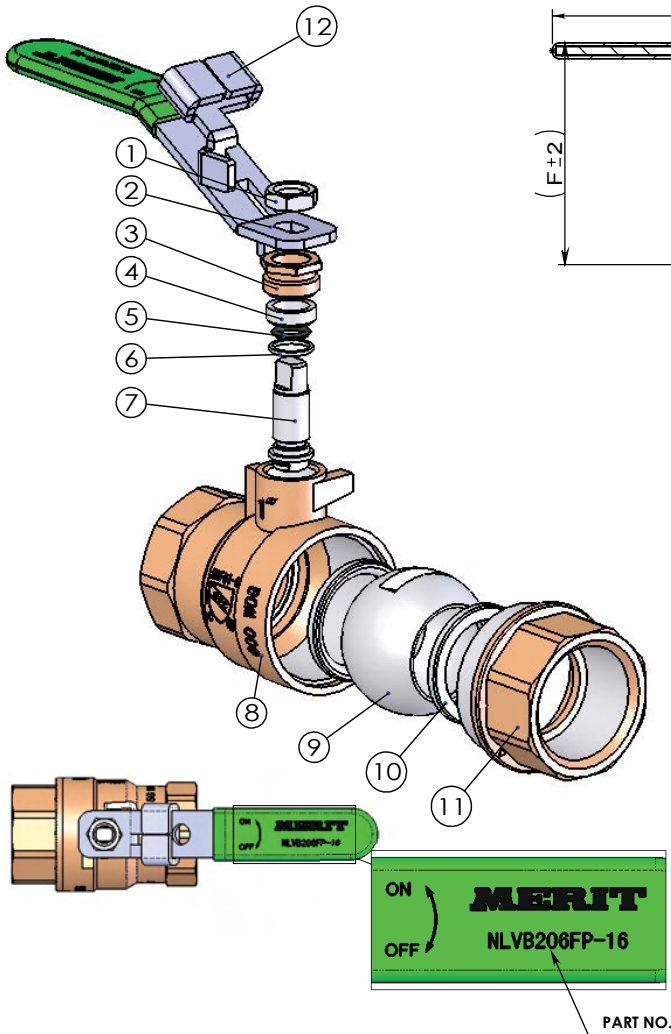
Follow us on [f](#) [X](#) [in](#) [@](#) [v](#) [p](#)

Headquarters: One Merit Drive, PO Box 43127, Cleveland, OH 44143

[www.meritbrass.com](http://www.meritbrass.com)  
[www.mbwebxpress.com](http://www.mbwebxpress.com)  
[contactus@meritbrass.com](mailto:contactus@meritbrass.com)

# LEAD-FREE BRASS BALL VALVES

Diameters: 1/4" - 2"



NO.	Part Name	Qty	Material
1	Hex-nut	1	Steel
2	Handle	1	Steel
3	Packing Nut	1	Brass
4	Packing Gland	1	PTFE
5	O-Ring	1	EPDM
6	Washer	1	PTFE
7	Stem	1	1/4" - 1": C46500 1-1/4" - 2": C36000
8	Body	1	C46500
9	Ball	1	1/4" - 1": C46500 1-1/4" - 2": AISI304
10	Seat	2	PTFE
11	Bonnet	1	C46500
12	Lock Catch	1	Steel

Size	A (in)	B (in)	C (in)	D (in)	E	F (in)	Weight (Lb)	Part No.
1/4"	1.732	0.453	3.15	∅ 0.394	1/4-18NPT	1.843	0.26	NLVB206FP-04
3/8"	1.732	0.453	3.15	∅ 0.394	3/8-18NPT	1.843	0.26	NLVB206FP-06
1/2"	2.047	0.551	3.15	∅ 0.512	1/2-14NPT	1.937	0.37	NLVB206FP-08
3/4"	2.303	0.571	4.134	∅ 0.709	3/4-14NPT	2.291	0.55	NLVB206FP-12
1"	2.795	0.689	4.134	∅ 0.945	1-11.5NPT	2.469	0.88	NLVB206FP-16
1-1/4"	3.15	0.689	4.921	∅ 1.201	11/4-11.5NPT	3.039	1.36	NLVB206FP-20
1-1/2"	3.504	0.709	4.921	∅ 1.457	11/2-11.5NPT	3.217	1.88	NLVB206FP-24
2"	4.193	0.748	7.087	∅ 1.949	2-11.5NPT	3.72	3.44	NLVB206FP-32

# LEAD-FREE BRASS BALL VALVES

Diameters: 2-1/2" - 4"

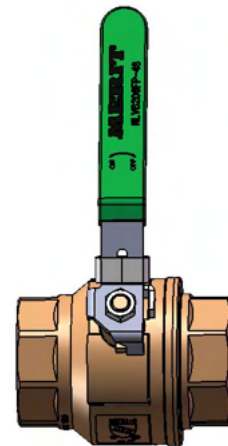
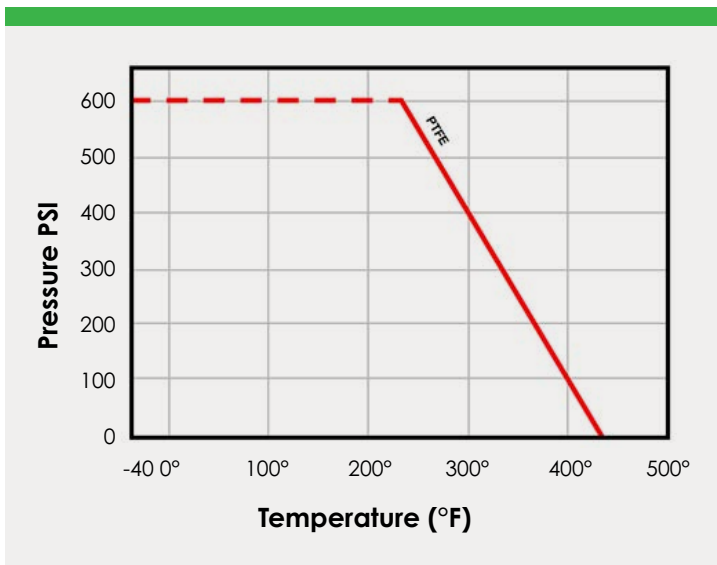


## Design Features

- Body: Forged Lead-Free Brass
- Port: Full
- Design: Two Piece Body
- Handle: Locking Device
- Ball: 304 Stainless Steel
- Seats: PTFE
- Stem: Blow-Out Proof
- 2-1/2" – 4" Rated: 600PSI Non-Shock WOG  
125PSI SWP

## Applicable Standards

- Threaded Ends ANSI B1.20.1
- Conforms to MSS-SP-110
- NSF61 and ANSI 372 Approved
- UL/FM Approved



Conforms with lead content requirements for lead-free plumbing as defined by the U.S. Safe Drinking Water Act. Certified  $\leq 0.25$  weighted average % lead.

LEARN MORE



**800.726.9800**

Follow us on [f](#) [X](#) [in](#) [@](#) [v](#) [p](#)

Headquarters: One Merit Drive, PO Box 43127, Cleveland, OH 44143

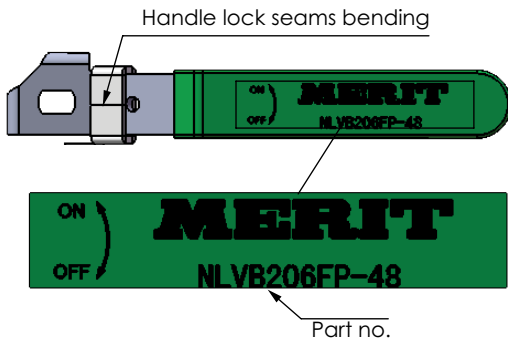
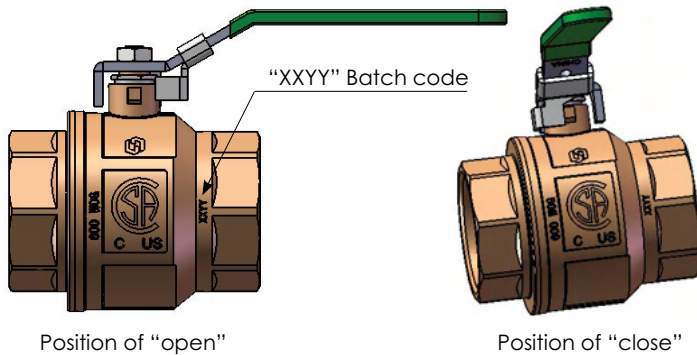
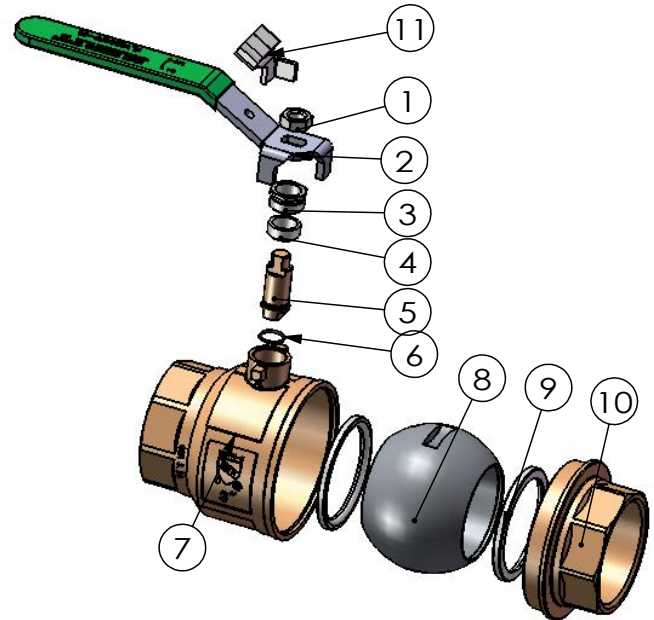
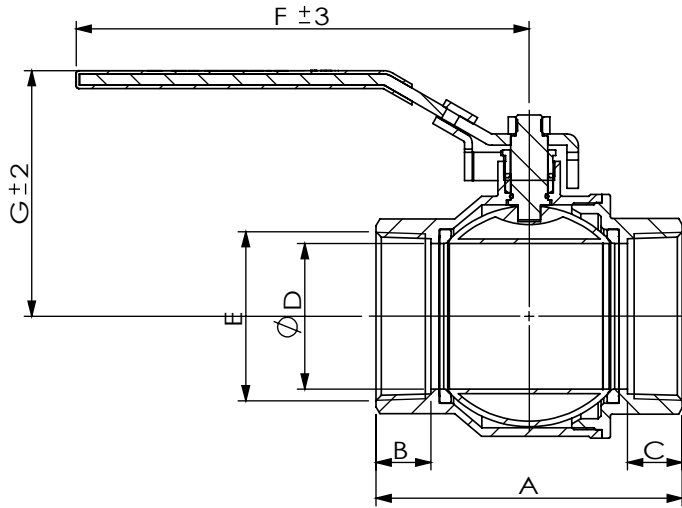
[www.meritbrass.com](http://www.meritbrass.com)

[www.mbwebxpress.com](http://www.mbwebxpress.com)

[contactus@meritbrass.com](mailto:contactus@meritbrass.com)

# LEAD-FREE BRASS BALL VALVES

Diameters: 2-1/2" - 4"



NO.	Part Name	Qty	Material
1	Hex-nut	1	Steel
2	Handle	1	Steel
3	Packing Nut	1	Brass
4	Packing Gland	1	PTFE
5	Stem	1	C3600
6	O-Ring	1	EPDM
7	Body	1	C46500
8	Ball	1	Stainless Steel
9	Seat	1	PTFE
10	Bonnet	1	C46500
11	Lock catch	1	Steel

Size	A (in)	B (in)	C (in)	D (in)	E	F (in)	G (in)	Weight (Lb)	Part No.
2-1/2"	5.551	1.063	1.603	∅ 0.25	2 1/2-8NPT	9.449	4.744	7.32	NLVB206FP-40
3"	6.378	1.142	1.142	∅ 3.031	3-8NPT	9.449	5.118	10.11	NLVB206FP-48
4"	7.543	1.201	1.201	∅ 3.937	4-8NPT	9.449	5.866	16.91	NLVB206FP-64