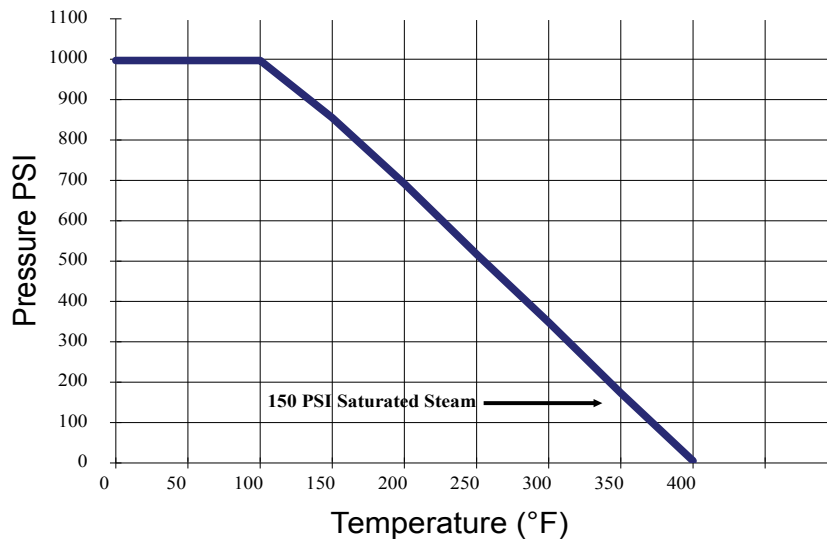


**DESIGN FEATURES:**

- Blow-out Proof Stem
- Pressure Balance Hole Ball Slot
- Full Port
- Various Thread Standards Available
- Locking Device is Available Upon Request

**APPLICABLE STANDARDS:**

- Design: ASME/ANSI B16.34 EN12516
- Wall Thickness: ASME/ANSI B16.34 EN12516
- Pipe Thread: ASME/ANSI B1.20.1
- Inspection & Testing: ASME/ANSI B16.34 EN12266



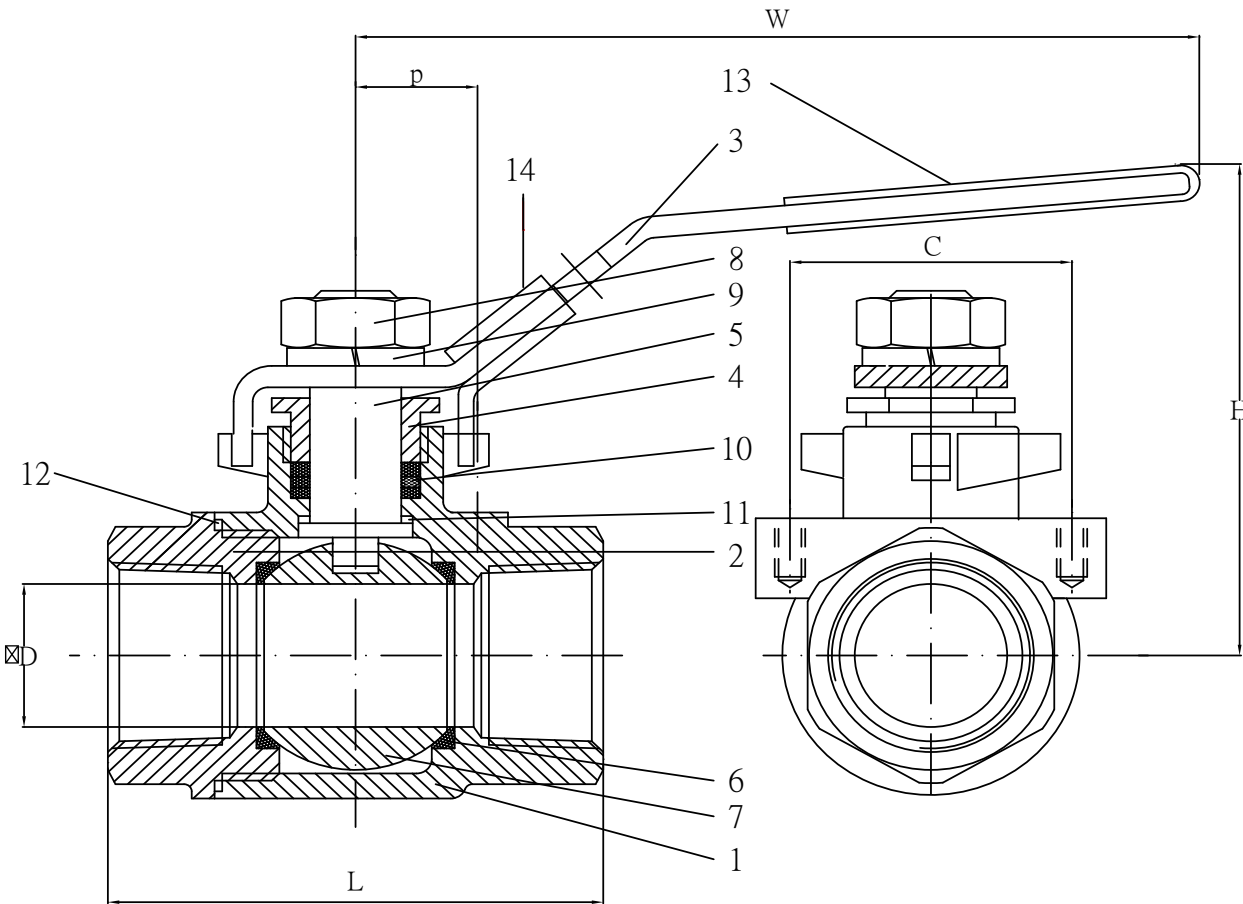
**Cv, Weights & Port**

Size	Cv	Wt (Lbs)	Port
1/4"	6	0.56	0.43
3/8"	8	0.49	0.49
1/2"	12	0.70	0.63
3/4"	28	1.18	0.98
1"	37	1.64	0.79
1-1/4"	48	2.56	1.26
1-1/2"	82	3.69	1.50
2"	115	6.24	2.01
2-1/2"	315	13.31	2.56
3"	370	19.60	3.15

**Torques(in-lbs)**

Size	Torque
1/4"	35
3/8"	35
1/2"	40
3/4"	60
1"	100
1-1/4"	130
1-1/2"	160
2"	225
2-1/2"	420
3"	1350

Headquarters:  
One Merit Drive  
PO Box 43127  
Cleveland, OH 44143  
Tel: 216.261.9800  
Toll Free Tel: 800.726.9800  
Toll Free Fax: 855.MBFAXIT (623.2948)  
Email: mbsales@meritbrass.com  
Websites: www.meritbrass.com  
www.MBWebXpress.com



NO.	PART NAME	QTY	MATERIAL
1	BODY	1	ASTMA351 CF8M
2	END CAP	1	ASTMA351 CF8M
3	HANDLE	1	SUS304
4	GLAND	1	SUS304
5	STEM	1	SUS316
6	SEAT RING	2	TEFLON
7	BALL	1	SUS316

NO.	PART NAME	QTY	MATERIAL
8	HANDLE NUT	1	SUS304
9	SPRING WASHER	1	SUS304
10	GLAND PACKING	1	PTFE
11	THRUST WASHER	1	PTFE
12	SEAL	1	PTFE
13	HANDLE COVER	1	PLASTIC
14	LOCKING DEVICE	1	SUS304

Unit: Inch

Size	D Port	L	W	H	C	P
1/4"	0.43	1.97	3.78	2.13	1.12	0.50
3/8"	0.49	1.97	3.78	2.13	1.12	0.50
1/2"	0.63	2.44	3.78	2.24	1.12	0.50
3/4"	0.79	2.80	4.96	2.70	1.38	0.88
1"	0.98	3.82	4.96	2.85	1.38	0.88
1-1/4"	1.26	4.09	7.01	3.56	1.50	0.95
1-1/2"	1.50	3.27	7.01	3.74	1.50	0.95
2"	2.01	4.92	7.01	4.11	1.50	0.95
2-1/2"	2.56	6.85	9.61	4.72	2.56	1.75
3"	3.15	6.02	9.61	5.16	2.56	1.75