

STAINLESS STEEL VALVES

Class 200 Stainless Steel Swing Check Wye Pattern Valve – Threaded “V” Series

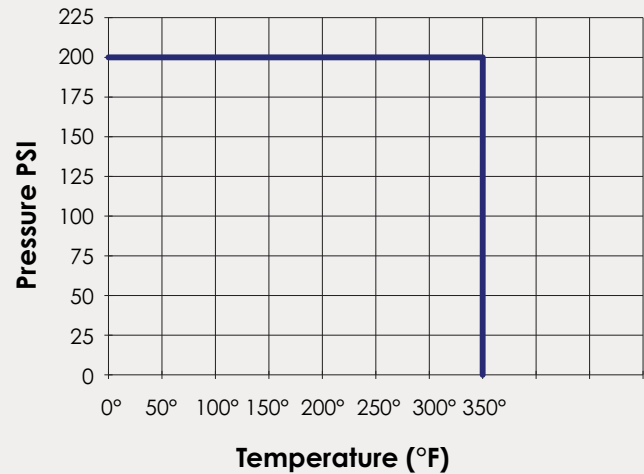
VSCWP102



Applicable Standards

- Design: ASME B16.34
- Testing: API 598
- 200 PSI Working Pressure at 350 °F

Size	Cv	Weight (Lbs)	Port
1/2"	3.5	0.74	0.59
3/4"	6.5	1.16	0.79
1"	9.5	1.86	0.98
1-1/4"	18.5	2.58	1.26
1-1/2"	24	3.90	1.50
2"	45	5.64	1.97



LEARN MORE



800.726.9800

Follow us on [f](#) [X](#) [in](#) [@](#) [v](#) [p](#)

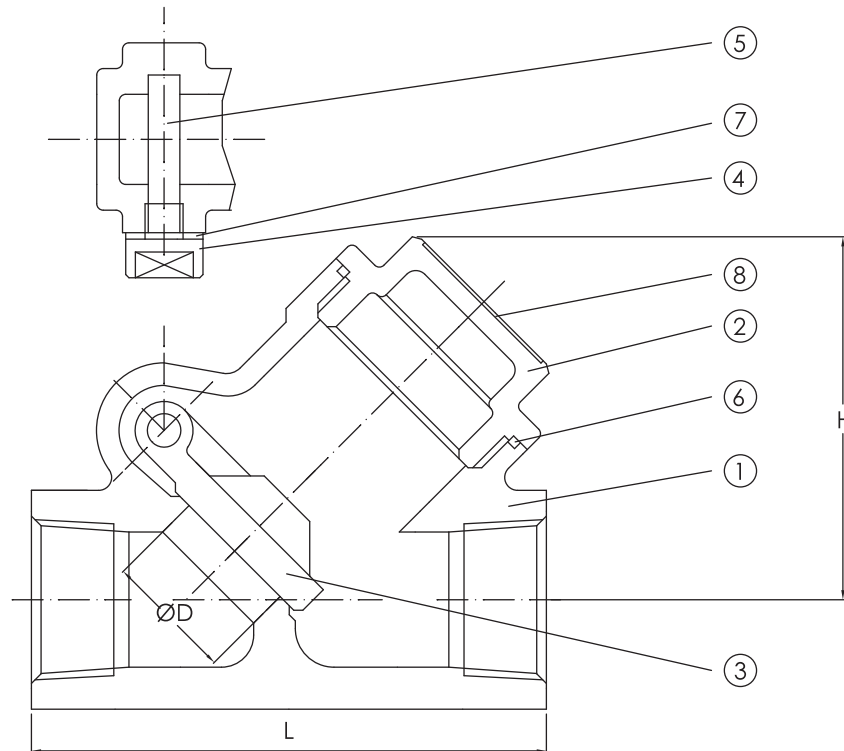
Headquarters: One Merit Drive, PO Box 43127, Cleveland, OH 44143

www.meritbrass.com
www.mbwebxpress.com
contactus@meritbrass.com

STAINLESS STEEL VALVES

Class 200 Stainless Steel Swing Check Wye Pattern Valve – Threaded “V” Series

VSCWP102



Unit: Inch

No.	Part Name	Qty	Material		
1	Body	1	ASTM	A351	CF8M
2	Bonnet	1	ASTM	A351	CF8M
3	Disc	1	ASTM	A351	CF8M
4	Plug	1	SUS316		
5	Hinge Pin	1	SUS316		
6	Gasket Packing	1	PTFE		
7	Gasket Packing	1	PTFE		
8	Name Plate	1	AL		

Size	D Port	L	H
1/2"	0.59	2.56	1.81
3/4"	0.79	3.15	2.20
1"	0.98	3.54	2.60
1-1/4"	1.26	4.13	2.99
1-1/2"	1.50	4.72	3.54
2"	1.97	5.51	4.13