

STAINLESS STEEL VALVES

1-PC Stainless Steel Ball Valve – Reduced Port, 1000 WOG

KV108



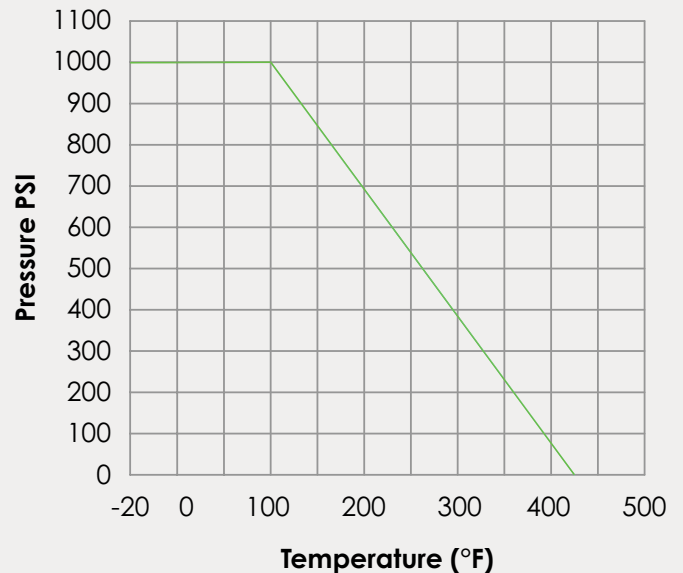
Design Features

- Blow-out Proof Stem
- Pressure Balance Hole in Ball Slot
- Double Reduced Port
- Various Thread Standards Available
- Locking Device is Available Upon Request
- Casting Approved by TÜV AD 2000 - Merkblatt W0

Applicable Standards

- Design: ASME B16.34, MSS SP-110
- Wall Thickness: EN 12516-3
- Pipe Thread: ASME B1.20.1
- Inspection & Testing: MSS SP-110

Size	Cv	Weight (Lbs)	Port	Torque (In-Lbs)
1/4"	N/A	0.16	0.20	40
3/8"	N/A	0.24	0.28	40
1/2"	N/A	0.42	0.36	44
3/4"	N/A	0.64	0.49	53
1"	18	0.93	0.59	89
1-1/4"	36	1.39	0.79	115
1-1/2"	48	1.90	0.98	168
2"	72	3.27	1.26	252



LEARN MORE



800.726.9800

Follow us on [f](#) [X](#) [in](#) [@](#) [v](#) [p](#)

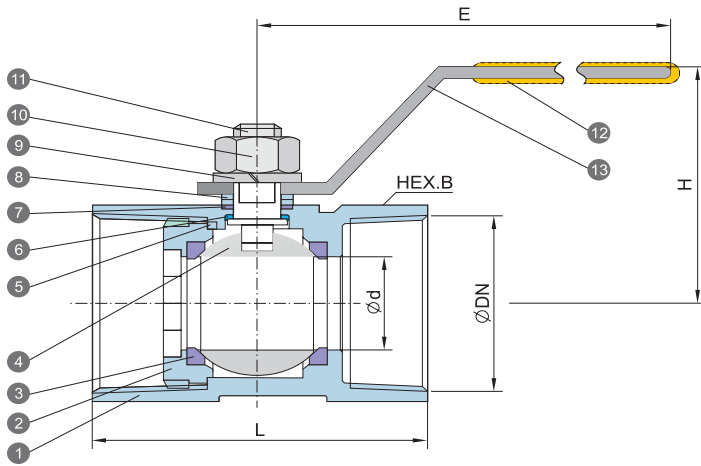
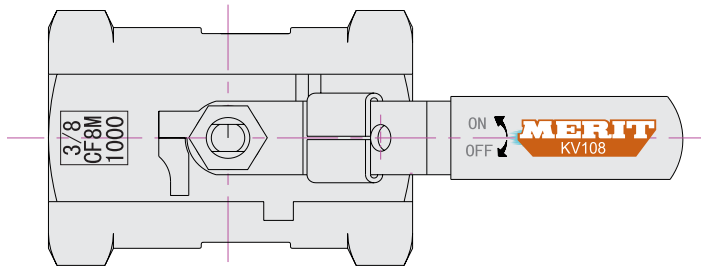
Headquarters: One Merit Drive, PO Box 43127, Cleveland, OH 44143

www.meritbrass.com
www.mbwebxpress.com
contactus@meritbrass.com

STAINLESS STEEL VALVES

1-PC Stainless Steel Ball Valve – Reduced Port, 1000 WOG

KV108



NO.	Part Name	Materials		
		CF8M	CF8	WCB
1	Body	CF8M	CF8	WCB
2	End Plug	CF8M	CF8	WCB
3	Ball Set	PTFE		
4	Ball	CF8M	CF8	
5	Body Gasket	PTFE		
6	Thrust Washer	PTFE		
7	Stem Packing	PTFE		
8	Gland Nut	SUS 304		
9	Stem Washer	SUS 304		
10	Stem Nut	A194 - 8		
11	Stem	SUS 316	SUS 304	
12	Handle Sleeve	Vinyl Plastic		
13	Handle	SUS 304		

Unit: Inch

Size	Ø d	L	H	E	HEX.B	Ø DN
1/4"	0.20	1.63	1.34	2.76	0.67	NPT
3/8"	0.28	1.81	1.38	3.15	0.83	
1/2"	0.36	2.28	1.73	3.62	0.98	
3/4"	0.49	2.40	1.81	3.62	1.26	
1"	0.59	2.89	2.01	4.53	1.50	
1-1/4"	0.79	3.07	2.28	4.53	1.89	
1-1/2"	0.98	3.35	2.60	5.00	2.09	
2"	1.26	4.02	2.83	5.00	2.60	