

STAINLESS STEEL VALVES

1-PC Stainless Steel Ball Valve – Reduced Port, 800 WOG

V108

Description

This specification covers 1-PC Stainless Steel Ball Valves used in piping applications as determined by Engineering as a function of what is being transported in the system, pressure ratings, temperature of material and line pressure.



Specifications

Stainless Steel Ball Valves in 1-PC provided by Merit Brass Co. are reduced port and designed to Class 800 WOG. The housing shall conform to ASTM A351 CF8M (316 SS) with PTFE seats securing a stainless steel (SUS316) ball. This product is suitable for above, or below ground, applications.

Size Range	Ends
• 1/4" – 2"	• NPT

Project Information	Approval Stamp
Project Name:	Approved
Project Location:	Approved As Noted
Project Contractor:	Not Approved
Project Engineer:	Remarks:
Project Distributor:	
Project Rep:	
Submittal Date:	
Notes 1:	
Notes 2:	

For the Master Carton (Box) Quantity List, please visit meritbrass.com. Some items not shown may be available upon request. Some items and sizes may be discontinued when stock is depleted and may require a minimum order quantity. Certain inventory limitations may apply. For list prices in Excel, please download by logging onto meritbrass.com. Contact our Sales Team for details at contactus@meritbrass.com. Every precaution has been taken in preparing this submittal, however, Merit Brass Company cannot be held responsible for typographical errors or omissions.

STAINLESS STEEL VALVES

1-PC Stainless Steel Ball Valve – Reduced Port, 800 WOG

V108



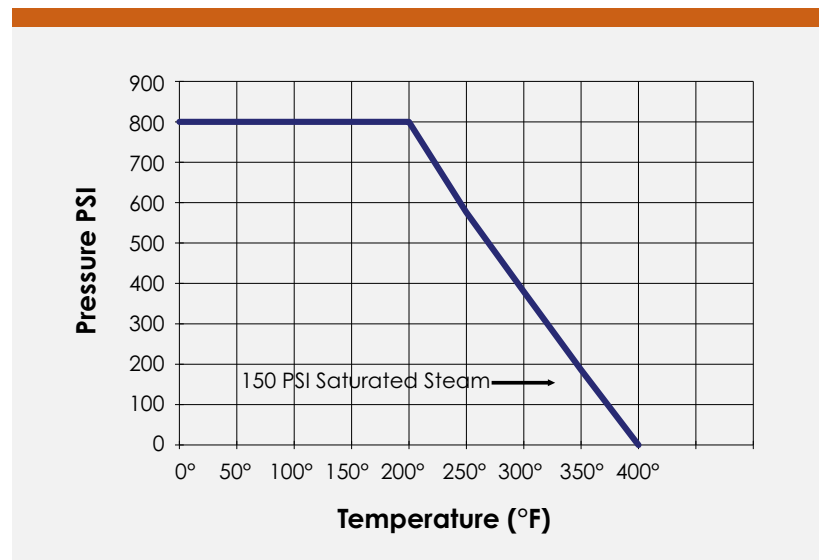
Design Features

- Blow-out Proof Stem
- Pressure Balance Hole Ball Slot
- Reduced Port
- Various Threaded Standards Available
- Locking Device is Available Upon Request

Applicable Standards

- Design: ASME/ANSI B16.34 EN12516
- Wall Thickness: ASME/ANSI B16.34 EN12516
- Pipe Thread: ASME/ANSI B1.20.1
- Inspection & Testing: ASME/ANSI B16.34 EN12516

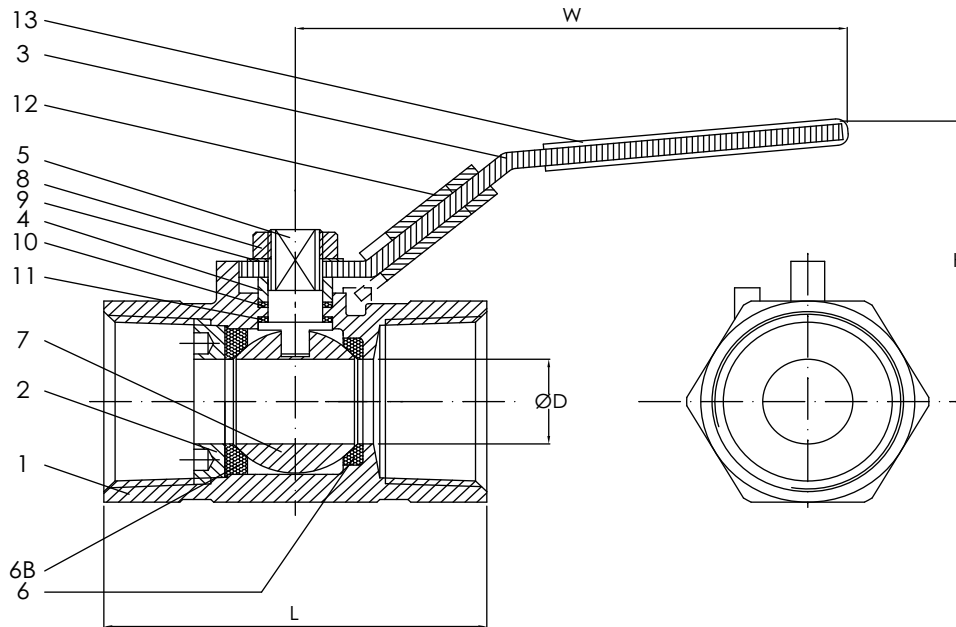
Size	Cv	Weight (Lbs)	Torque (In-Lbs)
1/4"	4	0.19	12
3/8"	4	0.24	12
1/2"	4.5	0.34	12
3/4"	9	0.53	20
1"	16	0.77	35
1-1/4"	24	1.54	55
1-1/2"	37	1.77	65
2"	68	2.79	80



STAINLESS STEEL VALVES

1-PC Stainless Steel Ball Valve – Reduced Port, 800 WOG

V108



Unit: Inch

No.	Part Name	Qty	Material		
1	Body	1	ASTM	A351	CF8M
2	Insert	1	SUS316		
3	Handle	1	SUS304		
4	Gland	1	SUS304		
5	Stem	1	SUS316		
6	Seat Ring	1	PTFE		
6B	Seat Ring	1	PTFE		
7	Ball	1	SUS316		
8	Handle Nut	1	SUS304		
9	Spring Washer	1	SUS304		
10	Thrust Washer	1	PTFE		
11	Thrust Washer	1	PTFE		
12	Locking Device	1	SUS304		
13	Handle Cover	1	Plastic		

Size	D Port	L	H	W
1/4"	0.20	1.61	1.50	3.23
3/8"	0.32	1.73	1.57	3.23
1/2"	0.35	2.09	1.69	3.23
3/4"	0.49	2.36	1.97	3.94
1"	0.63	2.80	2.09	3.94
1-1/4"	0.79	3.23	2.60	5.91
1-1/2"	0.98	3.47	2.76	5.91
2"	1.26	4.09	2.95	5.91

LOCATIONS

SPARKS DISTRIBUTION CENTER

200 Vista Boulevard Suite #106
Sparks, NV 89434

LONG BEACH PIPE DEPOT

2396 E. Artesia Blvd
Long Beach, CA 90805

DALLAS DISTRIBUTION CENTER

10614 King William Drive
Dallas, TX 75220

CLEVELAND HEADQUARTERS

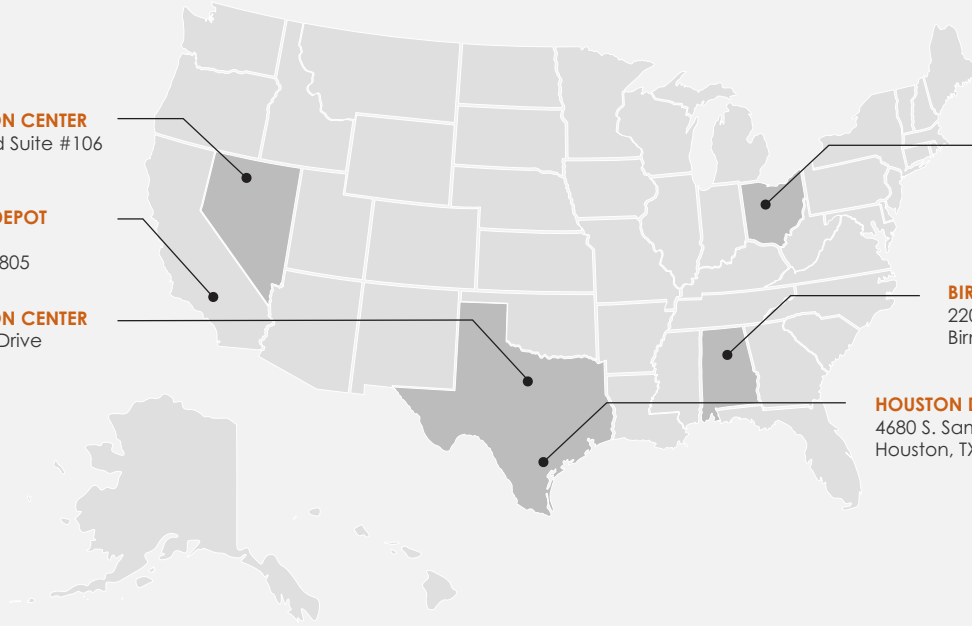
One Merit Drive/PO Box 43127
Cleveland, OH 44143

BIRMINGHAM DISTRIBUTION CENTER

220 Oxmoor Court
Birmingham, AL 35209

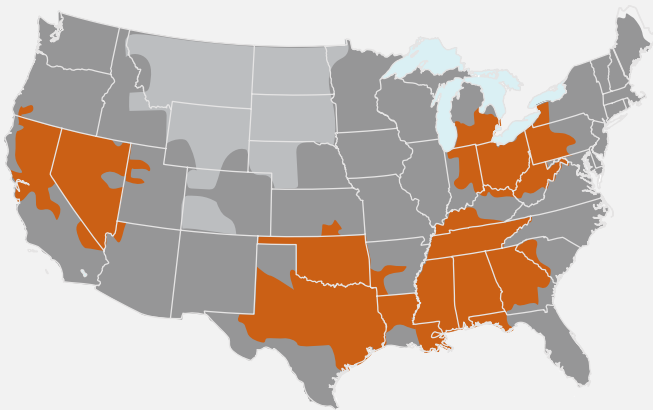
HOUSTON DISTRIBUTION CENTER

4680 S. Sam Houston Pkwy W, Suite 120
Houston, TX 77053



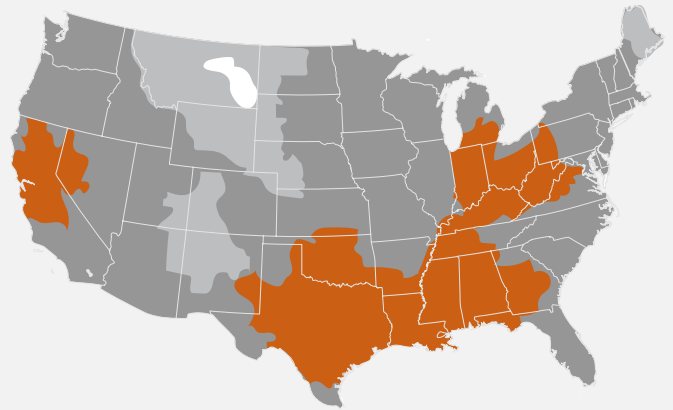
SHIPPING TIMES

UPS



1 Day 2 Days 3 Days

FedEx



1 Day 2 Days 3 Days 4 Days

*FedEx is Merit's Primary Carrier

LEARN MORE



800.726.9800

Follow us on

www.meritbrass.com
www.mbwebxpress.com
contactus@meritbrass.com

Merit Brass Headquarters Has An ISO 9001:2015 Registered Quality Management System