

StainlessPress®

Isotubi-USA, By Merit Brass Co.

Small Diameter Stainless Steel Full Port | Press Ball Valve

Description

This specification covers Stainless Steel Press Ball Valves used in piping applications as determined by Engineering as a function of what is being transported in the system, pressure ratings, temperature of material and line pressure.

Specifications

Stainless Steel Press Ball Valves provided by Merit Brass Co. are type 316/L and designed to mate with IPS (Iron Pipe Size) 304/L & 316/L Schedule 5 or 10 stainless steel pipe. This housing shall conform to IAPMO Z1157. This product is suitable for installation in most HVAC, plumbing, municipal, mechanical, industrial and marine applications.



- | Size Range | Ends |
|------------|---------|
| • ½" – 2" | • Press |

Project Information	Approval Stamp
Project Name:	Approved
Project Location:	Approved As Noted
Project Contractor:	Not Approved
Project Engineer:	Remarks:
Project Distributor:	
Project Rep:	
Submittal Date:	
Notes 1:	
Notes 2:	

For the Master Carton (Box) Quantity List, please visit meritbrass.com. Some items not shown may be available upon request. Some items and sizes may be discontinued when stock is depleted and may require a minimum order quantity. Certain inventory limitations may apply. For list prices in Excel, please download by logging onto meritbrass.com. Contact our Sales Team for details at contactus@meritbrass.com. Every precaution has been taken in preparing this submittal, however, Merit Brass Company cannot be held responsible for typographical errors or omissions.

StainlessPress®

Isotubi-USA, By Merit Brass Co.

Small Diameter Stainless Steel Full Port | Press Ball Valve

Design Features

- **VIPR® (Visual Indicator Press Ring®)** facilitates immediate identification of un-pressed connections
- **Full port**
- **Leak Before Press** – in addition to the VIPR®, valve incorporates 4-Path LBP technology, guaranteeing a visual indication if not pressed
- **5-Year Limited Warranty**
- **Max. Working Pressure:** 300 psi (20.7 bar)
- **Temperature Range:**
 - **EPDM:** -4°F to 230°F
 - **HNBR:** -13°F to 248°F
 - **FKM:** -4°F to 356°F



Applicable Standards

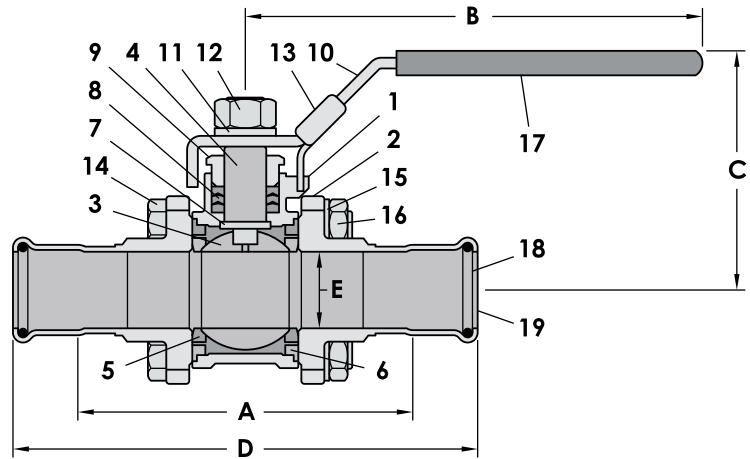
- Designed to be used with 304/L and 316/L Schedule 5 or 10 stainless steel pipe
- **IAPMO Z1157** Ball Valves
- **NSF/ANSI/Can 61 (EPDM Only):** Drinking Water System Components – Health Effects
- **NSF/ANSI/CAN 372 (EPDM Only):** Drinking Water System Components – Lead Content

StainlessPress®

Isotubi-USA, By Merit Brass Co.

Small Diameter Stainless Steel Full Port | Press Ball Valve

NO.	Part Name	QTY	Material
1	Body	1	ASTM A351-CF8M
2	Cap	1	ASTM A351-CF8M
3	Ball	1	ASTM A351-CF8M
4	Stem	1	ASTM A276-316
5	Ball Seat	1	RPTFE
6	Body Seat	1	Graphite-Filled PTFE
7	Thrust Washer	1	Graphite-Filled PTFE
8	Stem Packing	1	PTFE
9	Gland Nut	1	AISI 304
10	Handle	1	AISI 304
11	Spring Washer	1	AISI 304
12	Nut	1	AISI 304
13	Latch Lock	1	AISI 304
14	Bolt	1	AISI 304
15	Spring Washer	1	AISI 304
16	Nut	1	AISI 304
17	Handle Sleeve	1	PVC
18	Sealing Element	1	EPDM, Nitrile, Fluoroelastomer*
19	Ends	1	316L



Ball Valve					P x P				
Item Number			Nominal Size (in)	O.D.	Dimensions (in)				Weight lbs
EPDM	HNBR	FKM			A	B	C	D	
MBF311/26GE	MBF311/26GEH	MBF311/26GEF	½"	0.840	2.82	4.26	2.44	4.49	1.24
MBF313/46GE	MBF313/46GEH	MBF313/46GEF	¾"	1.050	3.50	5.31	2.68	5.39	1.73
MBF3116GE	MBF3116GEH	MBF3116GEF	1"	1.315	3.86	5.30	2.75	5.90	2.46
MBF3111/46GE	MBF3111/46GEH	MBF3111/46GEF	1¼"	1.660	4.17	6.30	3.35	6.53	5.90
MBF3111/26GE	MBF3111/26GEH	MBF3111/26GEF	1½"	1.900	4.72	7.87	3.54	7.13	5.93
MBF3126GE	MBF3126GEH	MBF3126GEF	2"	2.375	5.35	8.27	3.94	8.89	8.48

Operating Pressure: 300 PSI (20.7 bar)

LOCATIONS

SPARKS DISTRIBUTION CENTER
200 Vista Boulevard Suite #106
Sparks, NV 89434

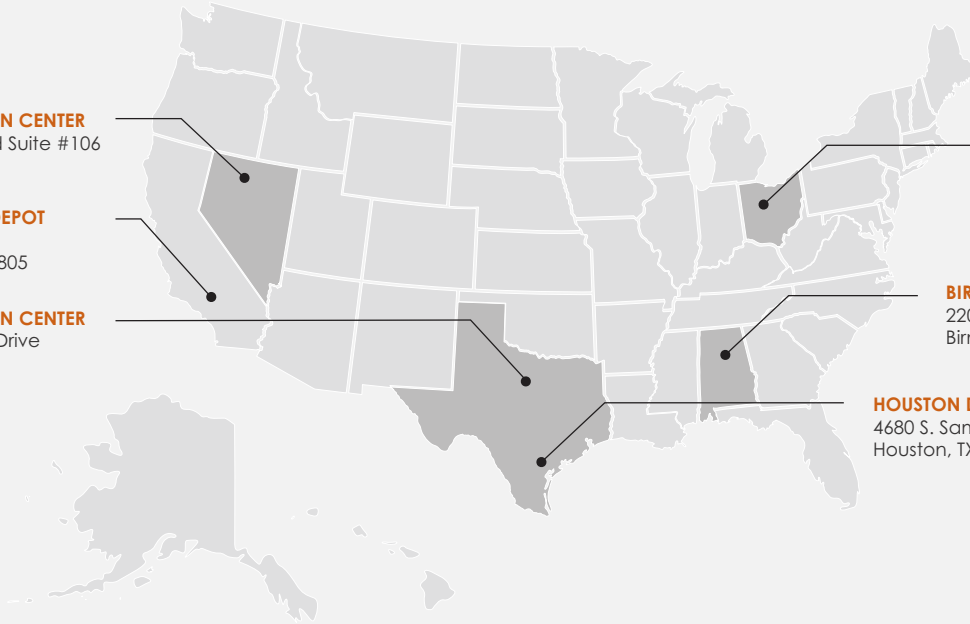
LONG BEACH PIPE DEPOT
2396 E. Artesia Blvd
Long Beach, CA 90805

DALLAS DISTRIBUTION CENTER
10614 King William Drive
Dallas, TX 75220

CLEVELAND HEADQUARTERS
One Merit Drive/PO Box 43127
Cleveland, OH 44143

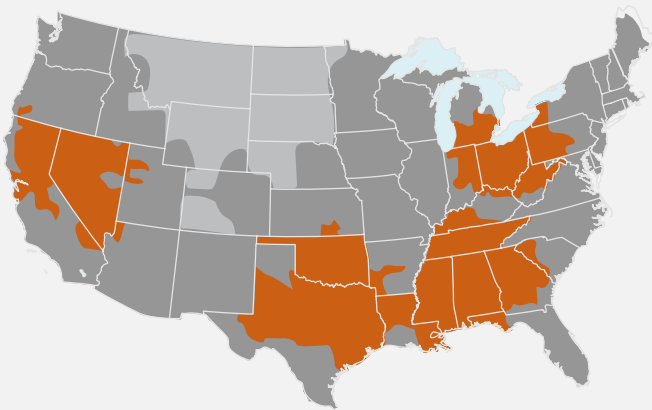
BIRMINGHAM DISTRIBUTION CENTER
220 Oxmoor Court
Birmingham, AL 35209

HOUSTON DISTRIBUTION CENTER
4680 S. Sam Houston Pkwy W, Suite 120
Houston, TX 77053



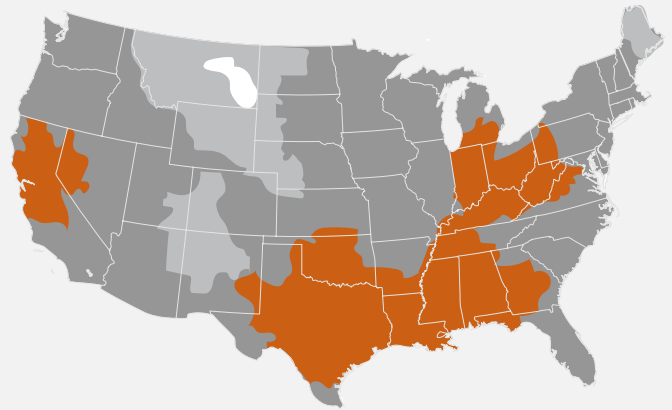
SHIPPING TIMES

UPS



1 Day 2 Days 3 Days

FedEx



1 Day 2 Days 3 Days 4 Days

*FedEx is Merit's Primary Carrier

LEARN MORE



800.726.9800

Follow us on

Merit Brass Headquarters Has An ISO 9001:2015 Registered Quality Management System

www.meritbrass.com
www.mbwebxpress.com
contactus@meritbrass.com