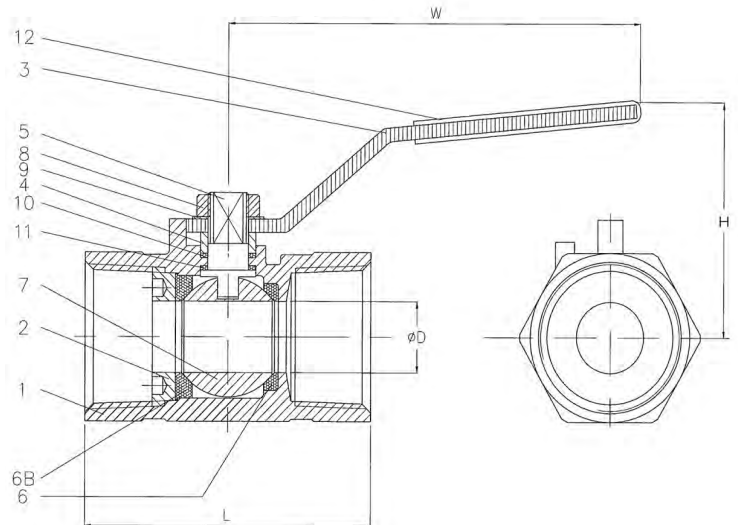


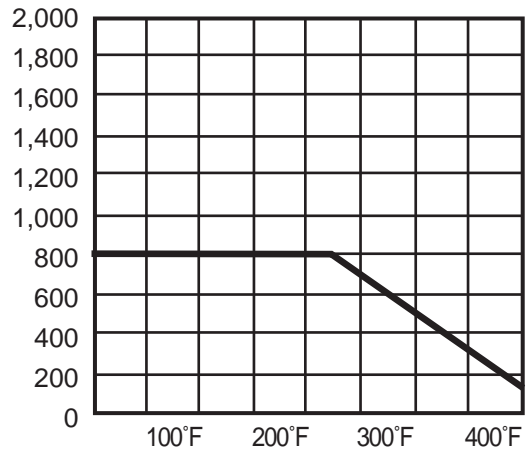


800 WOG
STAINLESS STEEL
UNIBODY
BALL VALVES



NO.	QTY	PART NAME	SPECIFICATION
1	1	BODY	ASTM A351 SS316 CF8M
2	1	INSERT	SS316
3	1	HANDLE	SS304
4	1	GLAND	SS304
5	1	STEM	SS316
6	1	SEAT RING	REINFORCED
6B	1	SEAT RING	TEFLON
7	1	BALL	SS316
8	1	HANDLE NUT	SS304
9	1	SPRING WASHER	SS304
10	1	THRUST WASHER	TEFLON
11	1	THRUST WASHER	TEFLON
12	1	HANDLE COVER	PLASTIC

PRESSURE/TEMP. RATINGS



DIMENSIONS	SIZE	1/4		3/8		1/2		3/4		1		1-1/4		1-1/2		2	
		INCH	MM	INCH	MM	INCH	MM	INCH	MM	INCH	MM	INCH	MM	INCH	MM	INCH	MM
DIMENSIONS	L	1.61	41	1.73	44	2.09	53	2.36	60	2.80	71	3.23	82	3.47	88	4.09	104
	H	1.50	38	1.56	39.5	1.67	42.5	1.95	49.5	2.07	52.5	2.58	65.5	2.74	69.5	2.93	74.5
	S	0.67	17	0.83	21	.98	25	1.22	31	1.50	38	1.85	47	2.09	53	2.60	66
	D	0.20	5	0.31	8	0.35	9	0.49	12.5	0.63	16	0.79	20	0.98	25	1.26	32
	W	3.19	81.1	3.19	81.1	3.19	81.1	3.87	98.2	3.87	98.2	5.90	149.8	5.90	149.8	5.90	149.8

800 WOG

STAINLESS STEEL UNIBODY BALL VALVES

PART NUMBER	SIZE INCHES
V108-04	1/4"
V108-06	3/8"
V108-08	1/2"
V108-12	3/4"
V108-16	1"
V108-20	1-1/4"
V108-24	1-1/2"
V108-32	2"

Every precaution has been taken in preparing this price sheet. However, Merit Brass Company cannot be held responsible for omissions or typographical errors.

Visit Our Web-Site at www.meritbrass.com

CLEVELAND HEADQUARTERS:

Local Tel: 216-261-9800
Toll Free Tel: 800-726-9800
Toll Free Fax: 800-726-9880
E-Mail: clev_sales@meritbrass.com
Address: P.O. Box 43127
One Merit Drive
Cleveland, OH 44143

DALLAS DISTRIBUTION CENTER:

Toll Free Tel: 800-726-9800
Toll Free Fax: 800-726-9880
E-Mail: dallas_sales@meritbrass.com
Address: 10705 King William Drive
Dallas, TX 75220

RENO DISTRIBUTION CENTER:

Toll Free Tel: 877-711-RENO
Toll Free Fax: 800-726-9880
E-Mail: reno_sales@meritbrass.com
Address: 200 Vista Blvd., Suite #106
Sparks, NV 89434



The Top Brass With A Stainless Reputation!

ISO 9001:2000



Certificate #8375

Our Cleveland Facility Has A Registered Quality Management System.
©2004 Merit Brass. All Rights Reserved.