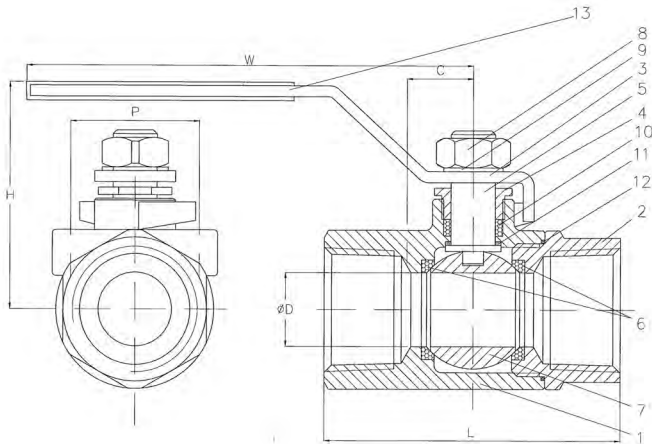
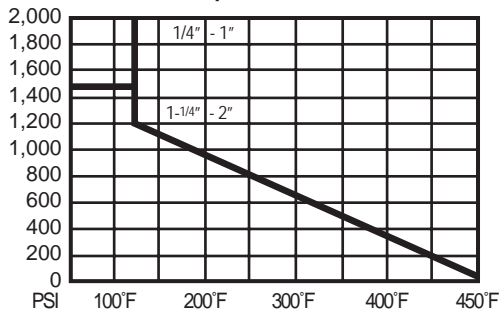


2000/1500 WOG

2 PIECE STANDARD PORT
STAINLESS STEEL
BALL VALVES



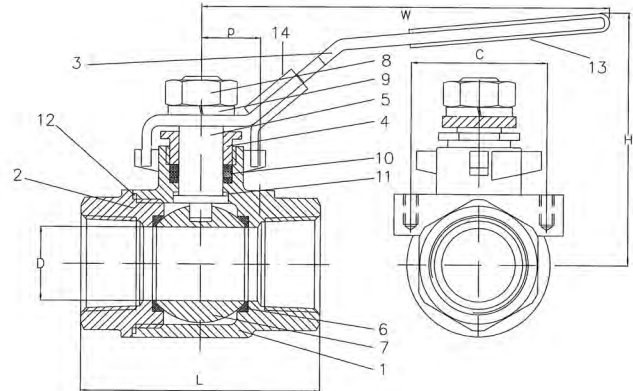
PRESSURE/TEMP. RATINGS



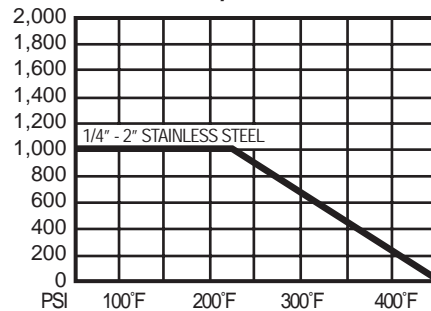
NO.	QTY	PART NAME	SPECIFICATION
1	1	BODY	ASTM A351 GRADE CF8M
2	1	END CAP	ASTM A351 GRADE CF8M
3	1	HANDLE	SS304
4	1	GLAND	SS304
5	1	STEM	SS316
6	2	SEAT RING	REINFORCED TEFLON
7	1	BALL	SS316
8	1	HANDLE NUT	SS304
9	1	SPRING WASHER	SS304
10	3	GRAND PACKING RING	TEFLON
11	1	THRUST WASHER	TEFLON
12	1	SEAL	TEFLON
13	1	HANDLE COVER	PLASTIC

1000 WOG

2 PIECE FULL PORT
STAINLESS STEEL
BALL VALVES



PRESSURE/TEMP. RATINGS



NO.	QTY	PART NAME	SPECIFICATION
1	1	BODY	ASTM A351 GRADE CF8M
2	1	END CAP	ASTM A351 GRADE CF8M
3	1	HANDLE	SS304
4	1	GLAND	SS304
5	1	STEM	SS316
6	2	SEAT RING	TEFLON
7	1	BALL	SS316
8	1	HANDLE NUT	SS304
9	1	SPRING WASHER	SS304
10	3	GRAND PACKING RING	TEFLON
11	1	THRUST WASHER	TEFLON
12	1	SEAL	TEFLON
13	1	HANDLE COVER	PLASTIC
14	1	LOCKING DEVICE	SS304

PART NUMBER	SIZE INCHES
V 220-04	1/4"
V 220-06	3/8"
V 220-08	1/2"
V 220-12	3/4"
V 220-16	1"
V 215-20	1-1/4"
V 215-24	1-1/2"
V 215-32	2"

2000/1500 WOG

2 PIECE STAINLESS STEEL BALL VALVES
1/4" - 1/2" FULL PORT
3/4" - 2" STANDARD PORT

D I M E N S I O N S	SIZE	1/4		3/8		1/2		3/4		1		1-1/4		1-1/2		2	
		INCH	MM	INCH	MM	INCH	MM	INCH	MM	INCH	MM	INCH	MM	INCH	MM	INCH	MM
L	2.01	51.0	2.01	51.0	2.32	59.0	2.72	69.0	3.17	80.6	3.72	94.6	4.00	101.6	4.70	119.4	
W	3.78	96.0	3.78	96.0	3.78	96.0	4.96	126.0	4.96	126.0	7.05	179.0	7.05	179.0	7.05	179.0	
H	1.87	47.5	1.87	47.5	1.87	47.5	2.15	54.5	2.26	57.5	2.78	70.5	2.97	75.5	3.15	80.0	
D	0.43	11.0	0.43	11.0	0.49	12.5	0.63	16.0	0.79	20.0	0.98	25.0	1.26	32.0	1.50	38.0	
C	0.50	12.7	0.50	12.7	0.50	12.7	0.88	22.4	0.88	22.4	0.95	24.0	0.95	24.0	0.95	24.0	
P	1.12	28.5	1.12	28.5	1.12	28.5	1.38	35.0	1.38	35.0	1.50	38.0	1.50	38.0	1.50	38.0	

PART NUMBER	SIZE INCHES
V 210 FP-04	1/4"
V 210 FP-06	3/8"
V 210 FP-08	1/2"
V 210 FP-12	3/4"
V 210 FP-16	1"
V 210 FP-20	1-1/4"
V 210 FP-24	1-1/2"
V 210 FP-32	2"
V 210 FP-48	3"

1000 WOG

2 PIECE FULL PORT
STAINLESS STEEL BALL VALVES

D I M E N S I O N S	SIZE	1/4		3/8		1/2		3/4		1		1-1/4		1-1/2		2	
		INCH	MM	INCH	MM	INCH	MM	INCH	MM	INCH	MM	INCH	MM	INCH	MM	INCH	MM
D	0.43	11.0	0.49	12.5	0.63	16.0	0.79	20.0	0.98	25.0	1.26	32.0	1.50	38.0	2.01	51.0	
S	0.87	22.0	0.87	22.0	1.02	26.0	1.26	32.0	1.50	38.0	1.89	48.0	2.16	54.0	2.63	67.0	
L	1.97	50.0	1.97	50.0	2.44	62.0	2.80	71.0	3.27	83.0	3.82	97.0	4.09	104.0	4.92	125.0	
W	3.78	96.0	3.78	96.0	3.78	96.0	4.96	126.0	4.96	126.0	7.01	178.0	7.01	178.0	7.01	178.0	
H	2.13	54.0	2.13	54.0	2.24	57.0	2.70	68.5	2.85	72.5	3.56	90.5	3.74	95.0	4.11	104.5	
C	1.12	28.5	1.12	28.5	1.12	28.5	1.38	35.0	1.38	35.0	1.50	38.0	1.50	38.0	1.50	38.0	
P	0.50	12.7	0.50	12.7	0.50	12.7	0.88	22.4	0.88	22.4	0.95	24.0	0.95	24.0	0.95	24.0	

Every precaution has been taken in preparing this price sheet. However, Merit Brass Company cannot be held responsible for omissions or typographical errors.

Visit Our Web-Site at www.meritbrass.com

CLEVELAND HEADQUARTERS:

Local Tel: 216-261-9800
Toll Free Tel: 800-726-9800
Toll Free Fax: 800-726-9880
E-Mail: clev_sales@meritbrass.com
Address: P.O. Box 43127
One Merit Drive
Cleveland, OH 44143

DALLAS DISTRIBUTION CENTER:

Toll Free Tel: 800-726-9800
Toll Free Fax: 800-726-9880
E-Mail: dallas_sales@meritbrass.com
Address: 10705 King William Drive
Dallas, TX 75220

RENO DISTRIBUTION CENTER:

Toll Free Tel: 877-711-RENO
Toll Free Fax: 800-726-9880
E-Mail: reno_sales@meritbrass.com
Address: 200 Vista Blvd., Suite #106
Sparks, NV 89434



The Top Brass With A Stainless Reputation!

ISO 9001:2000



Certificate #8375

Our Cleveland Facility Has A Registered Quality Management System.
©2004 Merit Brass. All Rights Reserved.