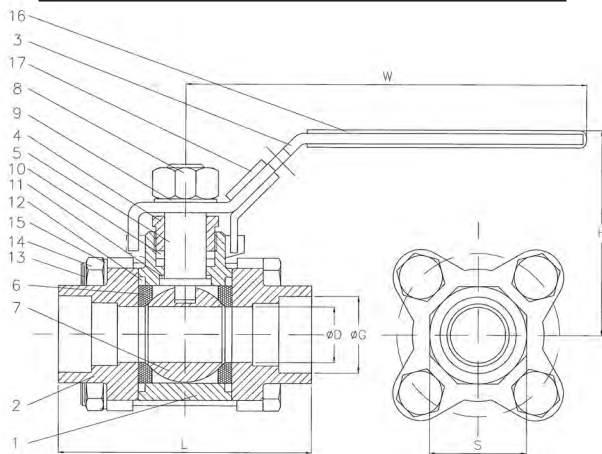
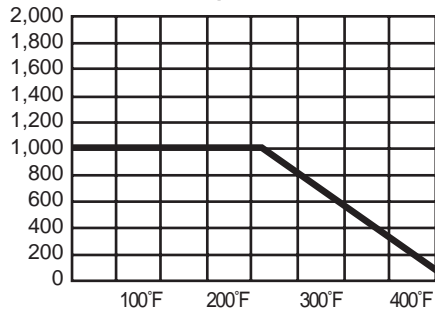


1000 WOG

3 PIECE FULL PORT
STAINLESS STEEL BALL VALVES
WITH SOCKET WELD ENDS



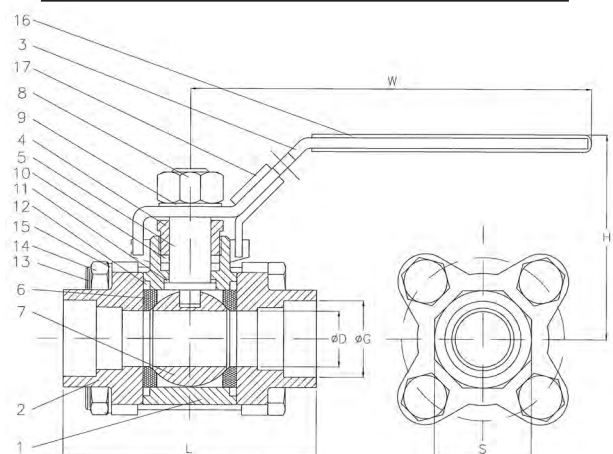
PRESSURE/TEMP. RATINGS



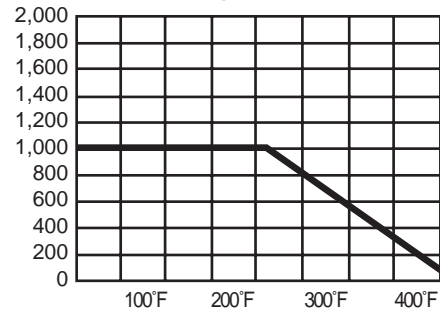
NO.	QTY	PART NAME	SPECIFICATION
1	1	BODY	ASTM A351 GRADE CF8M
2	2	END CAPS	ASTM A351 GRADE CF8M
3	1	HANDLE	SS304
4	1	GLAND	SS304
5	1	STEM	SS316
6	2	SEAT RING	REINFORCED TEFLON
7	1	BALL	SS316
8	1	HANDLE NUT	SS304
9	1	SPRING WASHER	SS304
10	1	THRUST WASHER	TEFLON
11	1	THRUST WASHER	TEFLON
12	2	SEAL WASHER	SS304
13	4	BODY BOLTS	SS304
14	4	HEX NUT	SS304
15	4	BOLT WASHER	SS304
16	1	HANDLE COVER	PLASTIC
17	1	LOCKING DEVICE	SS304

1000/400 WOG

3 PIECE FULL PORT
STAINLESS STEEL BALL VALVES
WITH THREADED ENDS



PRESSURE/TEMP. RATINGS



NO.	QTY	PART NAME	SPECIFICATION
1	1	BODY	ASTM A351 GRADE CF8M
2	2	END CAPS	ASTM A351 GRADE CF8M
3	1	HANDLE	SS304
4	1	GLAND	SS304
5	1	STEM	SS316
6	2	SEAT RING	REINFORCED TEFLON
7	1	BALL	SS316
8	1	HANDLE NUT	SS304
9	1	SPRING WASHER	SS304
10	1	THRUST WASHER	TEFLON
11	1	THRUST WASHER	TEFLON
12	2	SEAL WASHER	SS304
13	4	BODY BOLTS	SS304
14	4	HEX NUT	SS304
15	4	BOLT WASHER	SS304
16	1	HANDLE COVER	PLASTIC
17	1	LOCKING DEVICE	SS304

PART NUMBER	SIZE INCHES
SWV 310 FP-08	1/2"
SWV 310 FP-12	3/4"
SWV 310 FP-16	1"
SWV 310 FP-20	1-1/4"
SWV 310 FP-24	1-1/2"
SWV 310 FP-32	2"
SWV 310 FP-48	3"

1000 WOG
3 PIECE FULL PORT
STAINLESS STEEL BALL VALVES
WITH SOCKET WELD ENDS

D I M E N S I O N S	SIZE	1/2		3/4		1		1-1/4		1-1/2		2		3	
		INCH	MM	INCH	MM	INCH	MM	INCH	MM	INCH	MM	INCH	MM	INCH	MM
L		2.52	64	2.91	74	3.31	84	3.78	96	4.13	105	4.84	123	6.85	174
W		4.25	108	4.25	108	7.01	178	7.01	178	7.01	178	7.01	178	9.61	244
H		2.05	52	2.15	54.5	2.68	68	2.87	73	3.05	77.5	3.43	87	5.16	131
S		1.06	27	1.30	33	1.58	40	1.97	50	2.21	56	2.76	70	3.94	100
D		.63	16	0.77	19.5	0.98	25	1.26	32	1.50	38	1.97	50	3.15	80

PART NUMBER	SIZE INCHES
V 310 FP-04	1/4"
V 310 FP-06	3/8"
V 310 FP-08	1/2"
V 310 FP-12	3/4"
V 310 FP-16	1"
V 310 FP-20	1-1/4"
V 310 FP-24	1-1/2"
V 310 FP-32	2"
V 310 FP-40	2-1/2"
V 310 FP-48	3"

1000/400 WOG
3 PIECE FULL PORT
STAINLESS STEEL BALL VALVES
WITH THREADED ENDS

D I M E N S I O N S	SIZE	1/4		3/8		1/2		3/4		1		1-1/4		1-1/2		2		2-1/2		3	
		INCH	MM	INCH	MM	INCH	MM	INCH	MM	INCH	MM	INCH	MM	INCH	MM	INCH	MM	INCH	MM	INCH	MM
L		2.17	55	2.17	55	2.52	64	2.91	74	3.31	84	3.78	96	4.13	105	4.84	123	5.98	152	6.85	174
W		3.80	96	3.80	96	4.25	108	4.25	108	7	177.8	7	177.8	7	177.8	7	177.8	9.61	244	7	177.8
H		1.70	43.2	1.70	43.2	2	51	2.11	53.5	2.62	66.5	2.81	71.5	3	76	3.37	85.5	4.72	120	4.19	106.5
S		0.87	22	0.87	22	1.06	27	1.3	33	1.57	40	1.97	50	2.2	56	2.76	70	3.43	87	3.94	100
D		0.43	11	0.5	12.7	0.63	16	0.77	19.5	0.98	25	1.26	32	1.5	38	2	51	2.56	65	3.15	80

Every precaution has been taken in preparing this price sheet. However, Merit Brass Company cannot be held responsible for omissions or typographical errors.

Visit Our Web-Site at www.meritbrass.com

CLEVELAND HEADQUARTERS:

Local Tel: 216-261-9800
Toll Free Tel: 800-726-9800
Toll Free Fax: 800-726-9880
E-Mail: clev_sales@meritbrass.com
Address: P.O. Box 43127
One Merit Drive
Cleveland, OH 44143

DALLAS DISTRIBUTION CENTER:

Toll Free Tel: 800-726-9800
Toll Free Fax: 800-726-9880
E-Mail: dallas_sales@meritbrass.com
Address: 10705 King William Drive
Dallas, TX 75220

RENO DISTRIBUTION CENTER:

Toll Free Tel: 877-711-RENO
Toll Free Fax: 800-726-9880
E-Mail: reno_sales@meritbrass.com
Address: 200 Vista Blvd., Suite #106
Sparks, NV 89434



The Top Brass With A Stainless Reputation!

ISO 9001:2000



Certificate #8375

Our Cleveland Facility Has A Registered Quality Management System.

©2004 Merit Brass. All Rights Reserved.